



## INTRODUCTION SAVE ENERGY WITH NIVISS

The Ground series was designed using modern simulation methods in order to obtain the highest product quality. Ground series fixtures are made of top-quality materials such as marine grade steel, high-purity glass for optical applications, and modern CREE LEDs.

- Based on CREE® LEDs
- 12/24V DC
- Made of 316L steel
- Power: 2W (on request: 3W)
- IP68
- 5-year warranty
- Round or square front

## APPLICATIONS The Niviss Ground Mini fixture can be used for lighting many places and objects such as:

- recreation areas
- saunas
- garden ponds
- gardens
- terraces
- squares

## SPECIFICATION

LIGHT COLOUR	CONFORT WHITE	WARM WHITE	NEUTRAL WHITE	COOL WHITE
Colour Temperature*	2700 ± 150 K	3000 ± 150 K	4000 ± 250 K	5000 ± 250 K
Effective Lumen Output**	115 lm	115 lm	125 lm	150 lm
CRI		≥ 80		≥ 70
Viewing Angle [FWHM]		15°, 27°, 43°		
Input Voltage		12V/24V DC		
Power Consumption		2 W		
Operating Temperature.		-20°C + +55°C		
Dimensions		Ø50mm		
IP Rating		IP68		
Lifetime***		≥ 35 000 h		

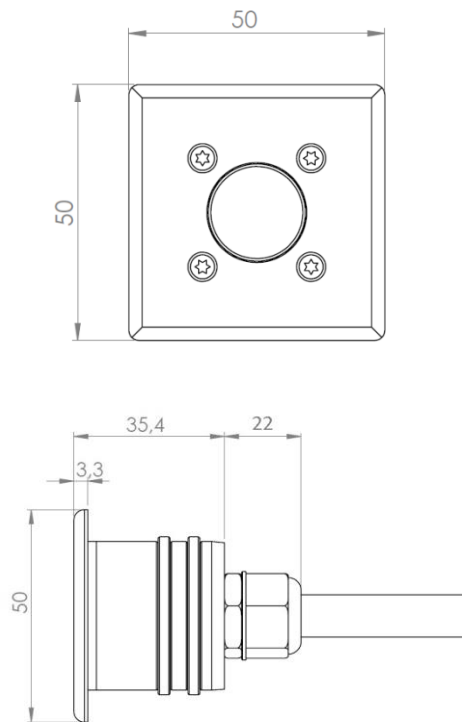
\* Other CCTs and colours available on request.

\*\* Source performance in real-life conditions at Ta=25°C; includes optical losses; the tolerance of source lumen output is 5%.

\*\*\* Approximate lifetime of LEDs declared by Cree® at Ta=25°C (for 90% of initial light output) and other electronic components

## DIMENSIONS [mm]

SQUARE FRONT



ROUND FRONT

