



## INTRODUCTION SAVE ENERGY WITH NIVISS

Owing to the IP68 rating, Niviss Pool fixtures are perfect for use in a water environment. They are made of the top-quality 316L steel. This steel grade offers the best resistance to unfavourable weather conditions.

- XLamp® XP-G3 Cree® LEDs
- 12V/24V DC
- Marine grade SS316L Stainless steel
- Supplied with H07RN-F cable
- IP68
- Environmentally friendly
- Long Lifetime
- Energy Saving
- Modern Design
- 5-year warranty

## APPLICATIONS The Niviss Pool Micro LED fixture can be used for lighting many places and objects such as::

- Swimming pools
- Saunas
- Fountains

**Contact:** +48 58 781 33 99 [sales@niviss.com](mailto:sales@niviss.com) [www.niviss.com](http://www.niviss.com)

NIVISS reserves the right to make technical changes without prior notice.

**CREE**   
 ▶ LED Solution Provider

## SPECIFICATION

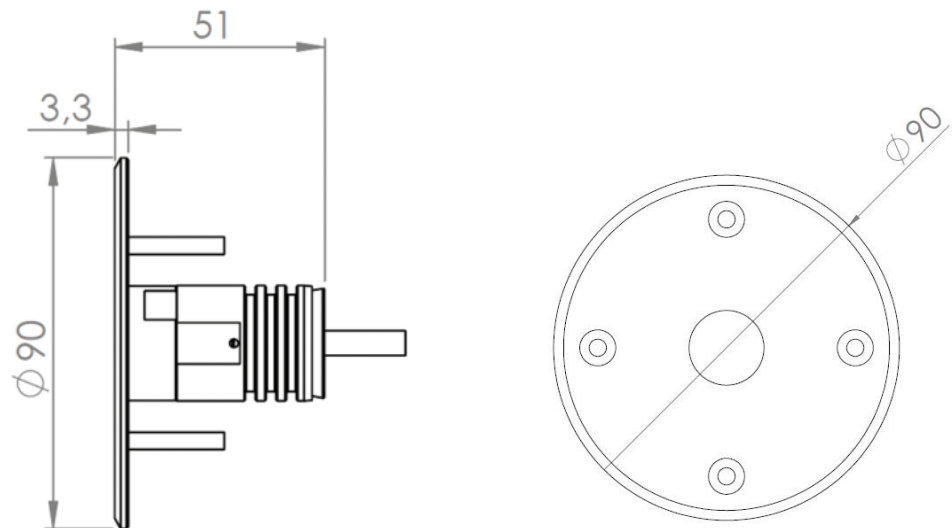
LIGHT COLOUR	AMBER WHITE	CONFORT WHITE	WARM WHITE	NEUTRAL WHITE	COOL WHITE
Colour Temperature*	2200 ± 150 K	2700 ± 150 K	3000 ± 150 K	4000 ± 250 K	5000 ± 250 K
Effective Lumen Output**	120 lm	150 lm	170 lm	170 lm	180 lm
CRI	≥ 80				
Viewing Angle [FWHM]	15°, 31°, 50°				
Input Voltage	12V/24V DC				
Power Consumption	2 W				
Operating Temperature.	-20°C + +55°C				
Dimensions	Ø90mm				
Cable Typ	SIHF 2X1.5				
Cable Length	2m				
IP Rating	IP68				
Lifetime***	≥ 60 000 h				

\* Other CCTs and colours available on request.

\*\* Source performance in real-life conditions at Ta=25°C; includes optical losses; the tolerance of source lumen output is 5%.

\*\*\* Approximate lifetime of LEDs declared by Cree® at Ta=25°C (for 90% of initial light output) and other electronic components

## DIMENSIONS [mm]



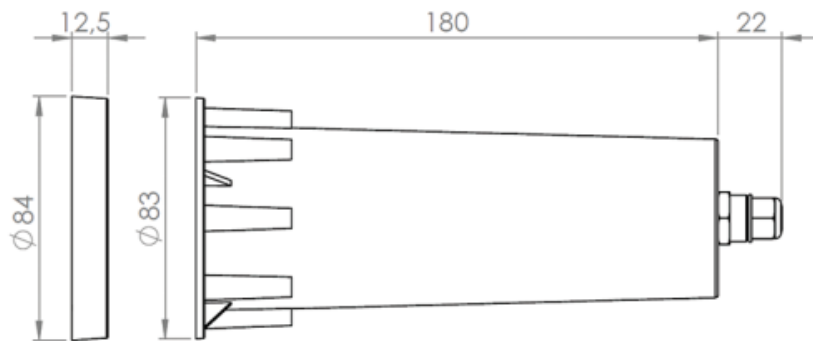
Contact: +48 58 781 33 99 [sales@niviss.com](mailto:sales@niviss.com) [www.niviss.com](http://www.niviss.com)

NIVISS reserves the right to make technical changes without prior notice.

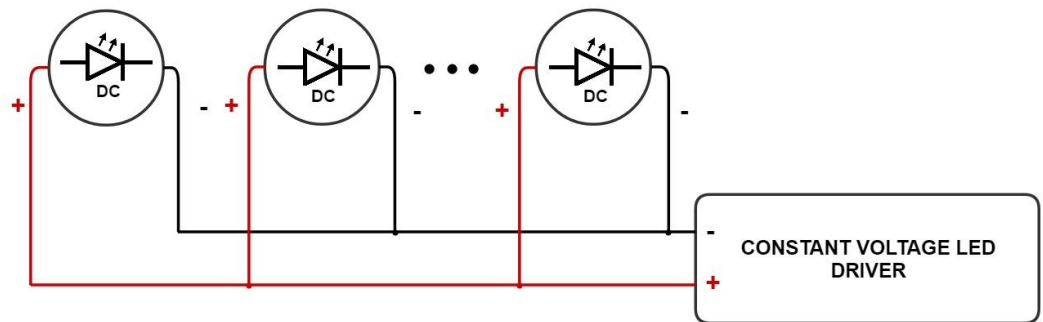
**CREE**   
 LED Solution Provider

ACCESORIES

POOL-MICRO-ABS



ELECTRICAL INSTALLATION



Connecting to the power supply should be done when the power supply is off.

ORDER CODE FORMAT

FAMILY	POWER	FWHM ANGLE	MATERIAL OF THE TOP/BODY	SUPPLY VOLTAGE
<b>POOL MICRO</b>	<b>2</b>	<b>15</b>	<b>SS</b>	<b>LV</b>
	<small>CCT AW - 2200K VW - 2700K WW - 3000K NW - 4000K CW - 5000K</small>	<small>15 - 15 degrees 31 - 31 degrees 50 - 50 degrees</small>	<small>SS - Steel top and steel body</small>	<small>RD - Round</small>

ENVIRONMENTAL CAUTION



Caution!  
It is prohibited to dispose of obsolete and waste electrical and electronic equipment together with regular household wastes. They should be properly sorted and recycled. Old electrical and electronic equipment should be returned to a waste collection point established by a waste-management service. Waste electrical and electronic equipment can be broken down to base materials and then recycled. For more information regarding waste management please contact your local authorities, waste-management service or the seller of electrical and electronic devices.

Contact: +48 58 781 33 99 [sales@niviss.com](mailto:sales@niviss.com) [www.niviss.com](http://www.niviss.com)

NIVISS reserves the right to make technical changes without prior notice.

