

INTRODUCTION SAVE ENERGY WITH NIVISS

The nStep series was designed using modern simulation methods in order to obtain the highest product quality. nStep series fixtures are made of top-quality materials and new CREE LEDs[®].

- Based on CREE[®] LEDs
- 230V AC / IP65
- Made of aluminium protected by painting
- Power: 4.6W
- 5-year warranty
- CRI ≥ 80, ≥ 90 on request
- Another color on request

APPLICATIONS The Niviss nStep mini fixture can be used for lighting many places and objects such as:

- stairs
- corridors
- terraces
- shopping center
- premises
- gardens

SPECIFICATION

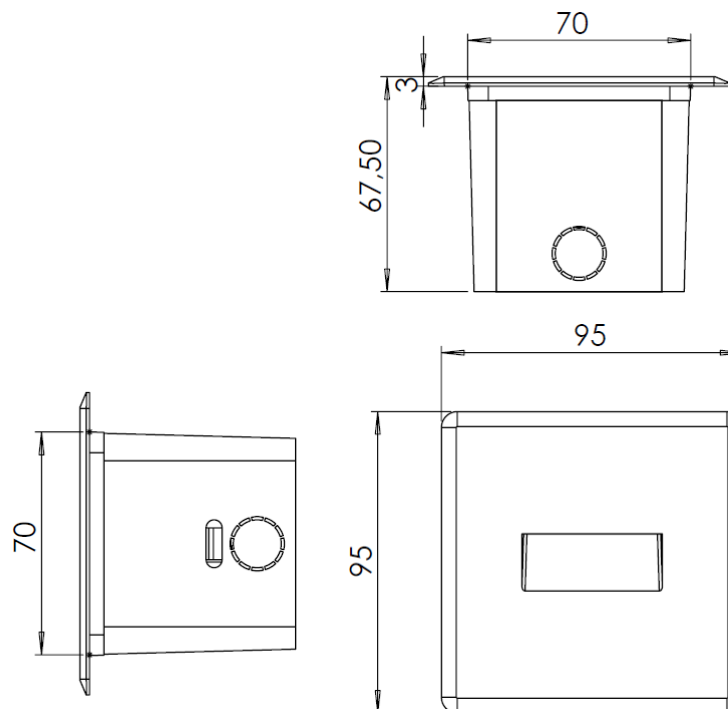
LIGHT COLOUR	WARM WHITE	NEUTRAL WHITE
Colour Temperature*	3000 ± 150 K	4000 ± 150 K
Source Lumen Output**	500 lm	500 lm
Risk group*	RG1	
CRI*	≥ 80	
Input Voltage	230V AC 50Hz	
Power Consumption	4.6 W	
Operating Temperature	-20°C + +55°C	
Dimensions	95x95mm	
Cable Type	H05RN-F 3G1	
Cable Length	0,2m	
IP Rating	IP65	
Lifetime***	≥ 60 000 h	
Appliance Class	Class I	

* Other CRI, CCTs and colours available on request.

** Source performance in real-life conditions at Ta=25°C; includes optical losses; the tolerance of source lumen output is 10%.

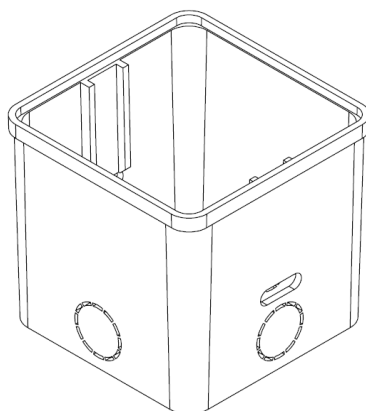
*** Approximate lifetime of LEDs declared by Cree® at Ta=25°C (for 90% of initial light output) and other electronic components

DIMENSIONS [mm]

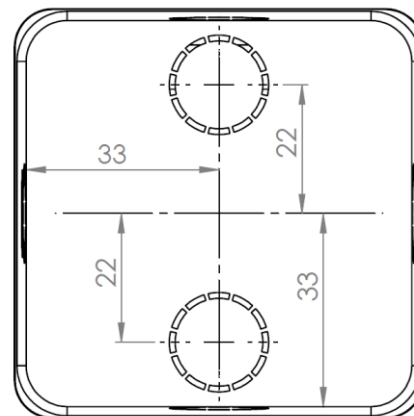


ACCESSORIES

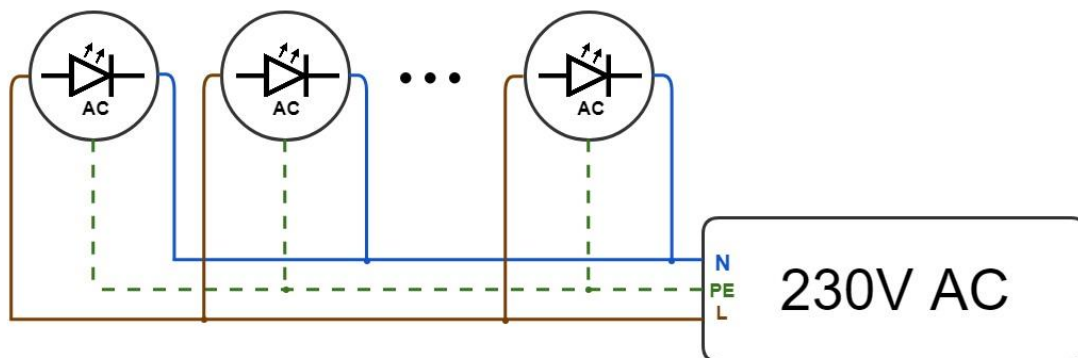
nStep-CASE



nStep-CASE (bottom side)



ELECTRICAL INSTALLATION



Connecting to the power supply should be done when the power supply is off.

ORDER CODE FORMAT

		HV - 5 W POWER	FRONT COLOR BM - BLACK MAT A - ANTRACYT		A - Aluminum P - PC - Polycarbonate MATERIAL OF THE FRONT / BODY	
NSTEP	-	MINI	-	5	-	WW - A - SQ - AP - HV
FAMIL Y		TYPE		CCT WW - 3000K NW - 4000K		FRONT PLATE SQ - SQUARE
						SUPPLY VOLTAGE HV - 230V AC, 50Hz

ENVIRONMENTAL CAUTION



Caution!

It is prohibited to dispose of obsolete and waste electrical and electronic equipment together with regular household wastes. They should be properly sorted and recycled. Old electrical and electronic equipment should be returned to a waste collection point established by a waste-management service. Waste electrical and electronic equipment can be broken down to base materials and then recycled. For more information regarding waste management please contact your local authorities, waste-management service or the seller of electrical and electronic devices