



## INTRODUCTION SAVE ENERGY WITH NIVISS

The Ground series was designed using modern simulation methods in order to obtain the highest product quality. Ground series fixtures are made of top-quality materials such as marine grade steel, high-purity glass for optical applications, and modern CREE LEDs.

- Based on CREE® LEDs
- 12V/24V DC
- Made of 316L steel
- Power: 2W (on request: 1W)
- IP67
- 5-year warranty
- Round or square front

## APPLICATIONS The Niviss Ground Micro fixture can be used for lighting many places and objects such as:

- saunas and SPA
- garden ponds
- gardens
- stair lights
- terraces
- squares

## SPECIFICATION

LIGHT COLOUR	AMBER WHITE	CONFORT WHITE	WARM WHITE	NEUTRAL WHITE	COOL WHITE
Colour Temperature*	2200 ± 150 K	2700 ± 150 K	3000 ± 150 K	4000 ± 250 K	5000 ± 250 K
Effective Lumen Output**	120 lm	150 lm	170 lm	170 lm	180 lm
CRI				≥ 80	
Viewing Angle [FWHM]				17°, 31°, 38°	
Input Voltage				12V/24V DC	
Power Consumption				2 W	
Operating Temperature.				-20°C + +55°C	
Dimensions				Ø40mm	
IP Rating				IP68	
Lifetime***				≥ 60 000 h	

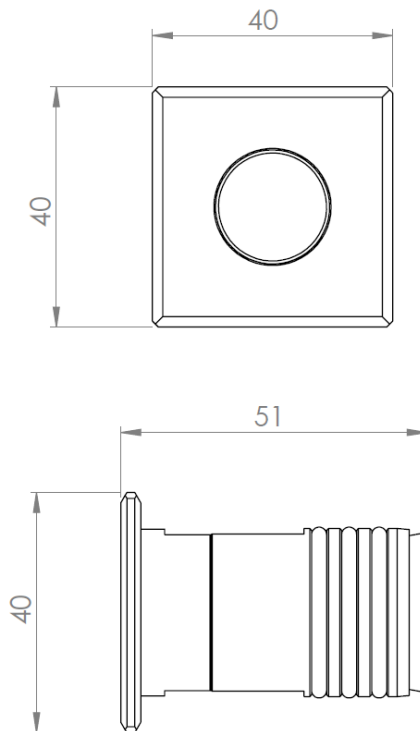
\* Other CCTs and colours available on request.

\*\* Source performance in real-life conditions at Ta=25°C; includes optical losses; the tolerance of source lumen output is 5%.

\*\*\* Approximate lifetime of LEDs declared by Cree® at Ta=25°C (for 90% of initial light output) and other electronic components

## DIMENSIONS [mm]

### SQUARE FRONT



### ROUND FRONT

