**INTRODUCTION SAVE ENERGY WITH NIVISS**

The Ground series was designed using modern simulation methods in order to obtain the highest product quality.

- Based on CREE® LEDs
- Made of 316L steel
- Power: 10 W per channel
- IP68
- 5-year warranty
- Round or square front
- Also available in an aluminium body
- RGBW

APPLICATIONS The Niviss Ground Big fixture can be used for lighting many places such as:

- gardens
- parks
- exterior walls
- squares

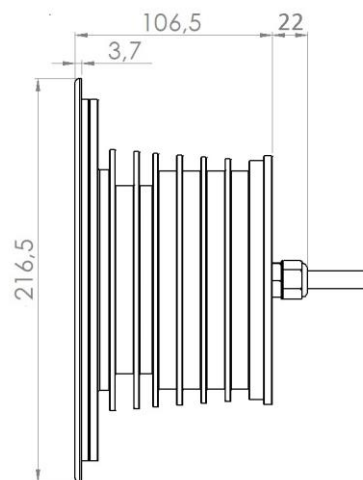
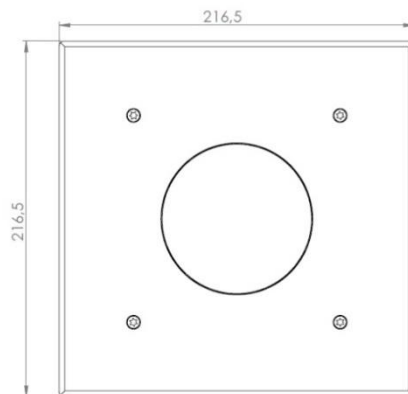
SPECIFICATION

LIGHT COLOUR	RED	GREEN	BLUE	COOL WHITE	NEUTRAL WHITE	WARM WHITE
Colour Temperature / Dominant Wavelength Range	620-630 nm	520-535 nm	465-485 nm	5000-8300 K	3700-5300K	2700-3500 K
Effective Lumen Output**	315 lm	500 lm	245 lm	810 lm	710 lm	660 lm
Constant Current	850 mA per channel					
Viewing Angle [FWHM]	24°, 38°					
Input Voltage	10 W per channel					
Operating Temperature.	-20°C ÷ +55°C					
Dimensions	Ø216,5mm					
Cable Type	8X0,5mm ²					
Cable Length	0,5m					
IP Rating	IP68					
Lifetime***	≥ 65 000 h					

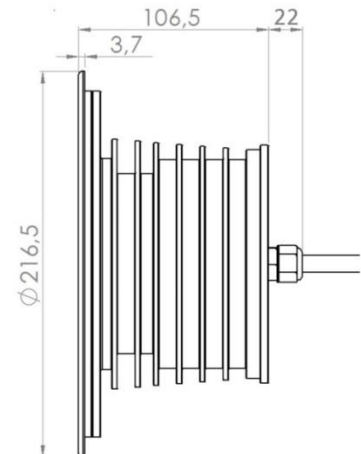
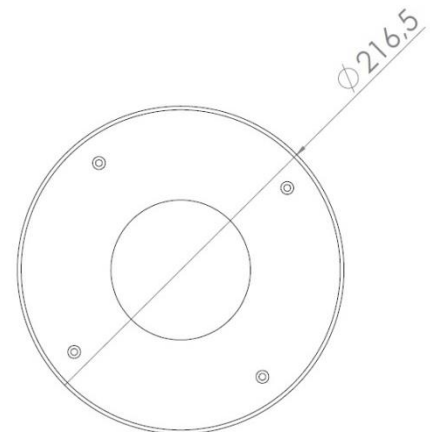
* Source performance in real-life conditions at Ta=25°C; includes optical losses; the tolerance of source lumen output is 5%.
 ** Approximate lifetime of LEDs declared by Cree® at Ta=25°C (for 80% of initial light output) and other electronic components.

DIMENSIONS [mm]

SQUARE FRONT

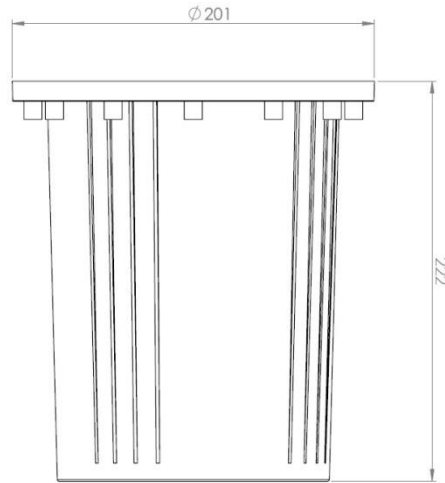


ROUND FRONT

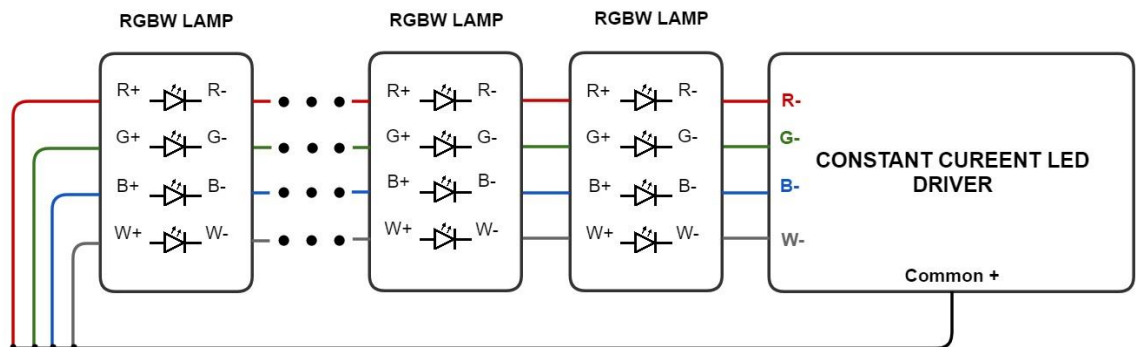


ACCESSORIES

GROUND-BIG-ABS



ELECTRICAL INSTALLATION



Connecting to the power supply should be done when the power supply is off.

ORDER CODE FORMAT

FAMILY	POWER	COLOUR VERSION	FRONT PLATE	MATERIAL OF THE FRONT / BODY	TYPE OF POWER SUPPLY
GROUND BIG	40	RGBW - RGB + warm white RGBN - RGB + neutral white RGBC - RGB + cool white	SQ - Square RD - Round	SA - Steel front and aluminium body SS - Steel front and body	CC - Constant current (nominal 850mA)

**GENERAL TERMS
OF USE**

1. Max current for each channel is 1A.
2. The range of acceptable input voltages must include the expected voltage dropout across the LED string eg.:
 - a. for XP-E2 RED LEDs: 6 LEDs in string at 850mA voltage dropout is 14.1V typical ;
 - b. for XP-E2 GREEN and BLUE LEDs: 6 LEDs in string at 850mA voltage dropout is 19.8V typical;
 - c. for XP-G3 White LEDs: 6 LEDs in string at 1000mA voltage dropout is 18V typical;

I_{max} and V_F (Maximal drive current, Forward voltage) should be checked in the current data sheets available on website:

<http://www.cree.com/led-components-and-modules/products/xlamp>.

**Niviss is not responsible for any damage or failure due to not comply with above rules.
Otherwise, the complaint will not be taken into account.**

**ENVIRONMENTAL
CAUTION****Caution!**

It is prohibited to dispose of obsolete and waste electrical and electronic equipment together with regular household wastes. They should be properly sorted and recycled. Old electrical and electronic equipment should be returned to a waste collection point established by a waste-management service. Waste electrical and electronic equipment can be broken down to base materials and then recycled. For more information regarding waste management please contact your local authorities, waste-management service or the seller of electrical and electronic devices.