



INTRODUCTION

SAVE ENERGY WITH NIVISS

The Ground series was designed using modern simulation methods in order to obtain the highest product quality.

- Based on CREE® LEDs
- 700mA per channel
- Made of 316L steel
- Power: 2 W per channel
- IP68
- 5-year warranty
- Round or square front
- Also available with an aluminium body
- RGB

APPLICATIONS The Niviss Ground Standard LED fixture can be used for lighting many places and objects such as:

- parks
- gardens
- exterior walls
- squares
- premises
- plants

SPECIFICATION

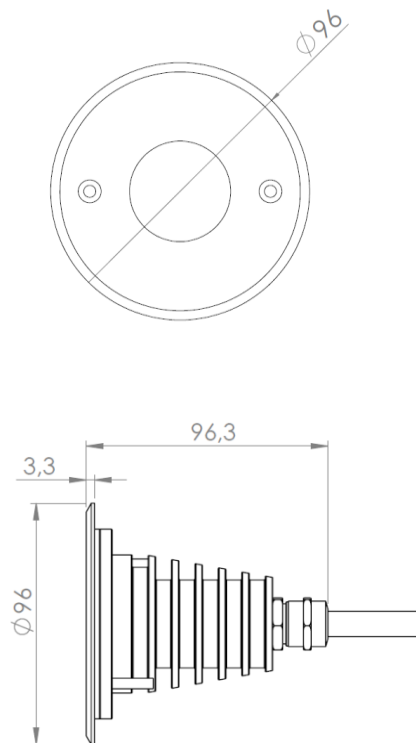
LIGHT COLOUR	RED	GREEN	BLUE
Effective Lumen* @350 mA	31 lm	68 lm	37 lm
Effective Lumen* @700 mA	57 lm	102 lm	62 lm
LED current	700 mA		
Viewing Angle [FWHM]	30°, 50°		
Power Consumption	2 W per channel		
Operating Temperature.	-20°C ÷ +55°C		
Dimensions	Ø96mm		
Cable Type	8X0.5mm ²		
Cable Length	0.5m		
IP Rating	IP68		
Lifetime***	≥ 65 000 h		

* Source performance in real-life conditions at Ta=25°C; includes optical losses; the tolerance of source lumen output is 5%.

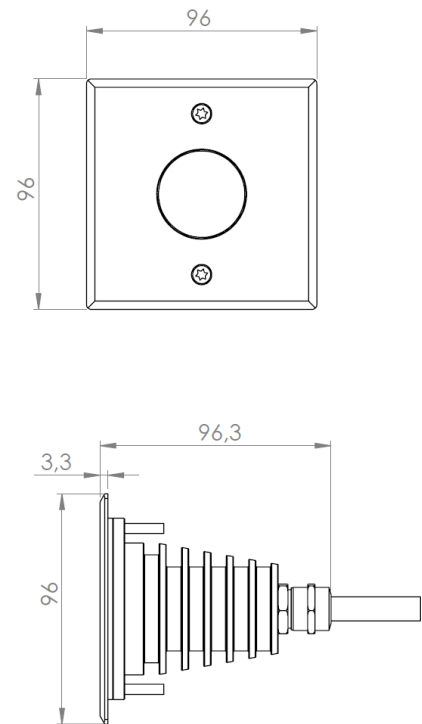
** Approximate lifetime of LEDs declared by Cree® at Ta=25°C (for 80% of initial light output) and other electronic components

DIMENSIONS [mm]

ROUND FRONT

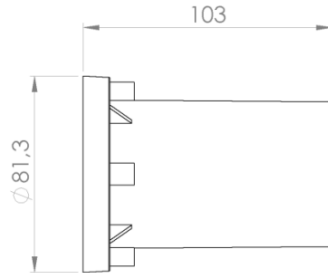


SQUARE FRONT



ACCESSORIES

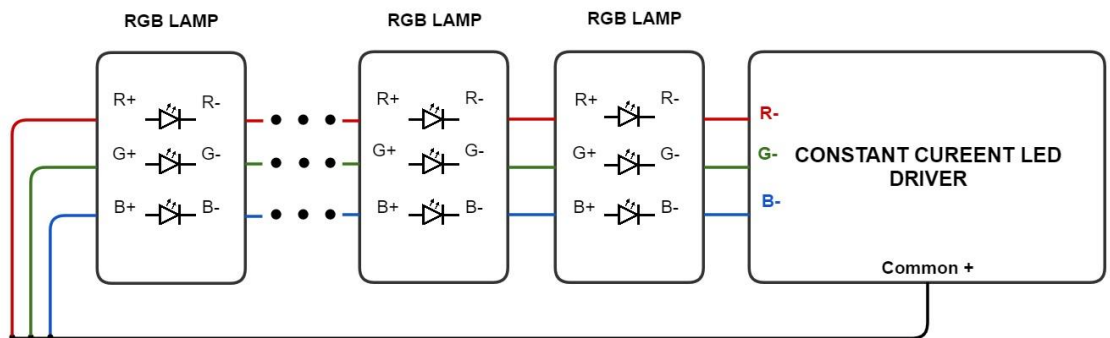
GROUND-STANDARD-ABS-1



GROUND-STANDARD-ABS-2



ELECTRICAL INSTALLATION



Connecting to the power supply should be done when the power supply is off.

ORDER CODE FORMAT

GROUND STANDARD	POWER		30 - 30 degrees		SA - Steel front and aluminium body	
	6	RGB	50 - 50 degrees	SQ	SS - Steel front and body	CC
<small>FAMILY</small>		<small>COLOUR VERSION</small>	<small>FWHM ANGLE</small>	<small>FRONT PLATE</small>	<small>MATERIAL OF THE FRONT / BODY</small>	
				<small>SQ - Square</small>	<small>TYPE OF POWER SUPPLY</small>	
				<small>RD - Round</small>	<small>CC - Constant Current</small>	
					<small>(nominal 700mA per channel)</small>	

GENERAL TERMS OF USE

1. Max current for each channel is 750mA.
2. The range of acceptable input voltages must include the expected voltage dropout across the LED string eg.:
 - a. for XP-E2 RED LEDs: 1 LEDs at 700mA voltage dropout is 2.3V typical;
 - b. for XP-E2 GREEN and BLUE LEDs: 1 LEDs at 700mA voltage dropout is 3.1V typical;

I_{max} and V_F (Maximal drive current, Forward voltage) should be checked in the current data sheets available on website:

<http://www.cree.com/led-components-and-modules/products/xlamp>.

Niviss is not responsible for any damage or failure due to not comply with above rules. Otherwise, the complaint will not be taken into account.

ENVIRONMENTAL CAUTION



Caution!

It is prohibited to dispose of obsolete and waste electrical and electronic equipment together with regular household wastes. They should be properly sorted and recycled. Old electrical and electronic equipment should be returned to a waste collection point established by a waste-management service. Waste electrical and electronic equipment can be broken down to base materials and then recycled. For more information regarding waste management please contact your local authorities, waste-management service or the seller of electrical and electronic devices.