



INTRODUCTION SAVE ENERGY WITH NIVISS

The Ground series was designed using modern simulation methods in order to obtain the highest product quality. Ground series fixtures are made of top-quality materials such as marine grade steel, high-purity glass for optical applications, and modern CREE LEDs.

- Based on CREE® LEDs
- 230V AC / 12-24V on request
- Made of 316L steel
- Power: 7W / 6W
- IP67 / IP68
- 5-year warranty
- Also available in aluminium

APPLICATIONS The Niviss Ground Standard fixture can be used for lighting many places and objects such as:

- parks
- gardens
- exterior walls
- monuments
- premises
- plants

SPECIFICATION

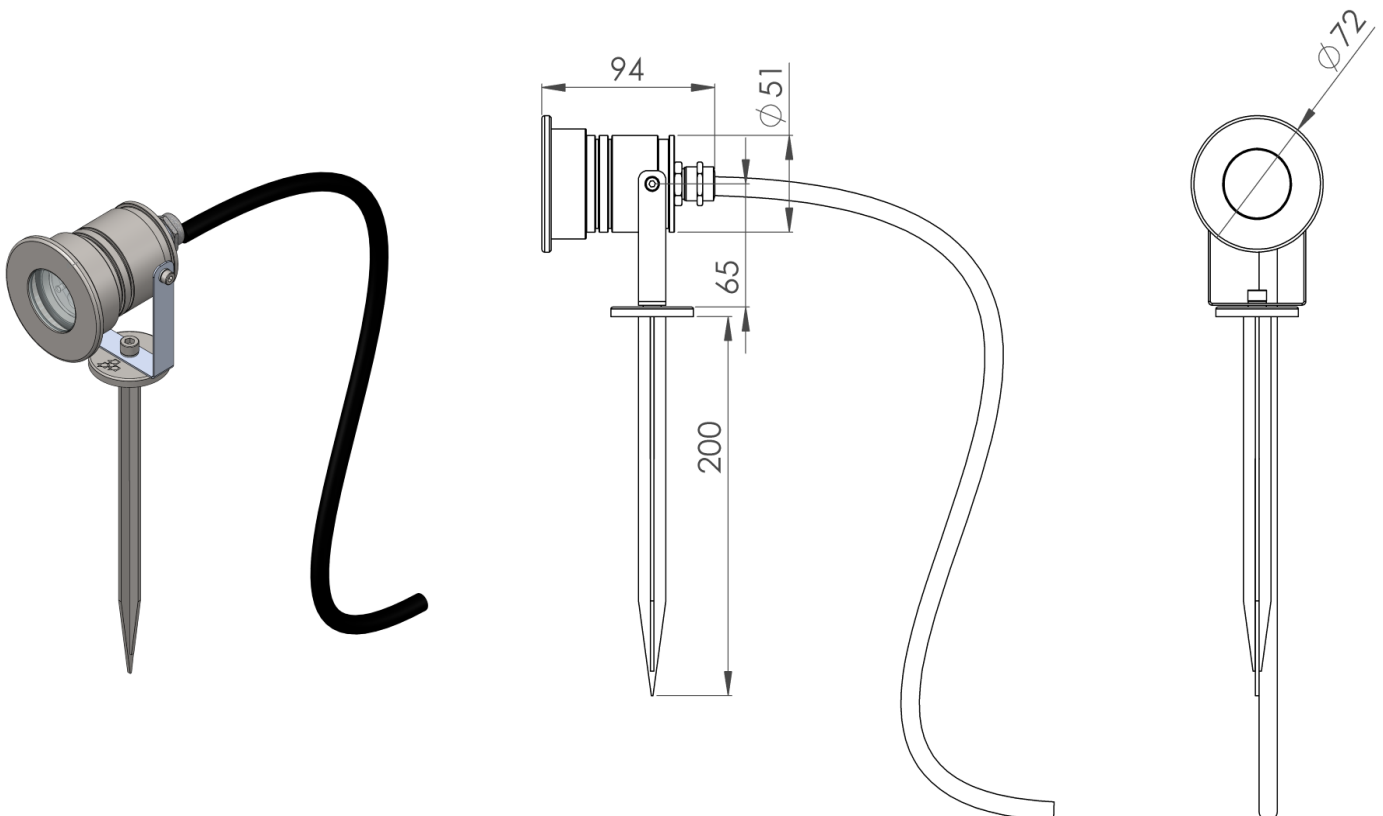
LIGHT COLOUR	AMBER WHITE	CONFORT WHITE	WARM WHITE	NEUTRAL WHITE	COOL WHITE
Colour Temperature*	2200 ± 150 K	2700 ± 150 K	3000 ± 150 K	4000 ± 250 K	5000 ± 250 K
Effective Lumen Output**	350 lm	500 lm	500 lm	570 lm	570 lm
CRI	≥ 80				
Viewing Angle [FWHM]	30°, 50°				
Input Voltage	230V AC 50Hz / 12V/24V DC				
Power Consumption	7 W / 6 W				
Operating Temperature.	-20°C + +55°C				
Dimensions	Ø72mm				
Cable Type	H07RN-F 3G1 with plug / 2X1.5				
Cable Length	2m				
IP Rating	IP67 / IP68				
Lifetime***	≥ 60 000 h				

* Other CCTs and colours available on request.

** Source performance in real-life conditions at Ta=25°C; includes optical losses; the tolerance of source lumen output is 5%.

*** Approximate lifetime of LEDs declared by Cree® at Ta=25°C (for 90% of initial light output) and other electronic components

DIMENSIONS [mm]



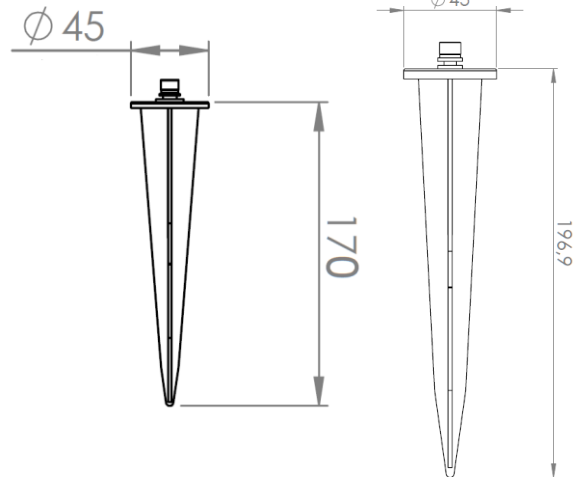
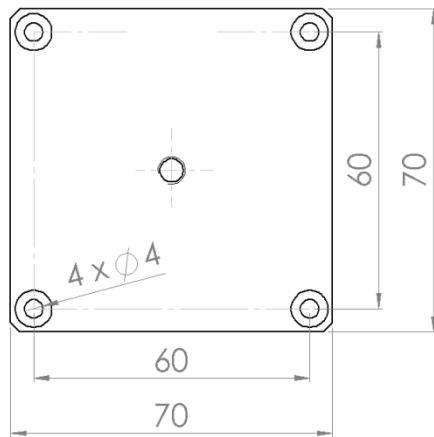
Contact: +48 58 781 33 99 sales@niviss.com www.niviss.com
 NIVISS reserves the right to make technical changes without prior notice.

CREE 
 LED Solution Provider

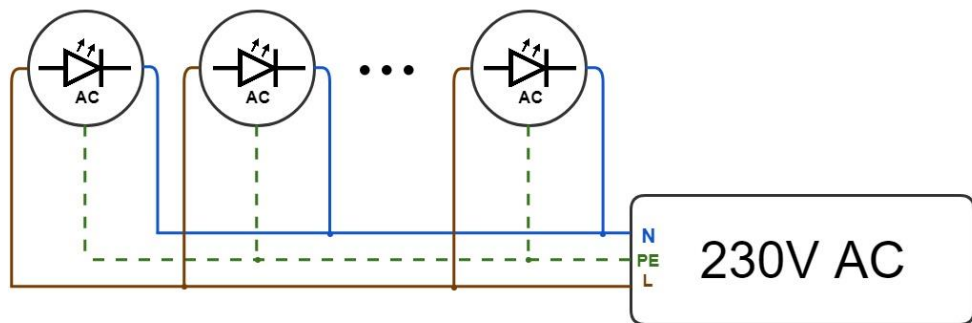
ACCESSORIES

GROUND-PLATE-6063 / GROUND-PLATE-SST

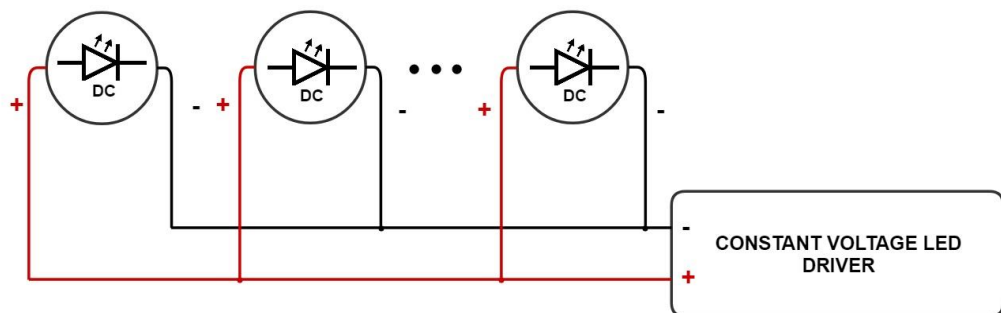
GROUND-SPIKE-NYLON / GROUND-SPIKE-SST



ELECTRICAL INSTALLATION



Connecting to the power supply should be done when the power supply is off.



Connecting to the power supply should be done when the power supply is off.

**ORDER CODE
FORMAT**

GROUND STANDARD PR	LV - 6 W	30 - 30 degrees	SS - Steel front and body
	HV - 7 W	50 - 50 degrees	AA - Aluminium front and body
FAMILY	POWER	FWHM ANGLE	MATERIAL OF THE FRONT / BODY
	- 7 - VW - 30 - RD - SS - LV		
	CCT	FRONT PLATE	SUPPLY VOLTAGE
	AW - 2200K	RD - Round	LV - 12V/24V DC
	VW - 2700K		HV - 230V AC, 50Hz
	WW - 3000K		
	NW - 4000K		
	CW - 5000K		

**ENVIRONMENTAL
CAUTION**



Caution!

It is prohibited to dispose of obsolete and waste electrical and electronic equipment together with regular household wastes. They should be properly sorted and recycled. Old electrical and electronic equipment should be returned to a waste collection point established by a waste-management service. Waste electrical and electronic equipment can be broken down to base materials and then recycled. For more information regarding waste management please contact your local authorities, waste-management service or the seller of electrical and electronic devices.