



INTRODUCTION SAVE ENERGY WITH NIVISS

Owing to the IP68 rating, Niviss Pool fixtures are perfect for use in a water environment. They are made of the top-quality 316L steel. This steel grade offers the best resistance to unfavourable weather conditions.

- Based on CREE® LEDs
- 12V/24V DC
- Made of 316L steel
- Power: 6W
- IP68
- 5-year warranty

APPLICATIONS The Niviss Pool Standard LED fixture can be used for lighting many places and objects such as:

- swimming pools
- ponds
- fountains

SPECIFICATION

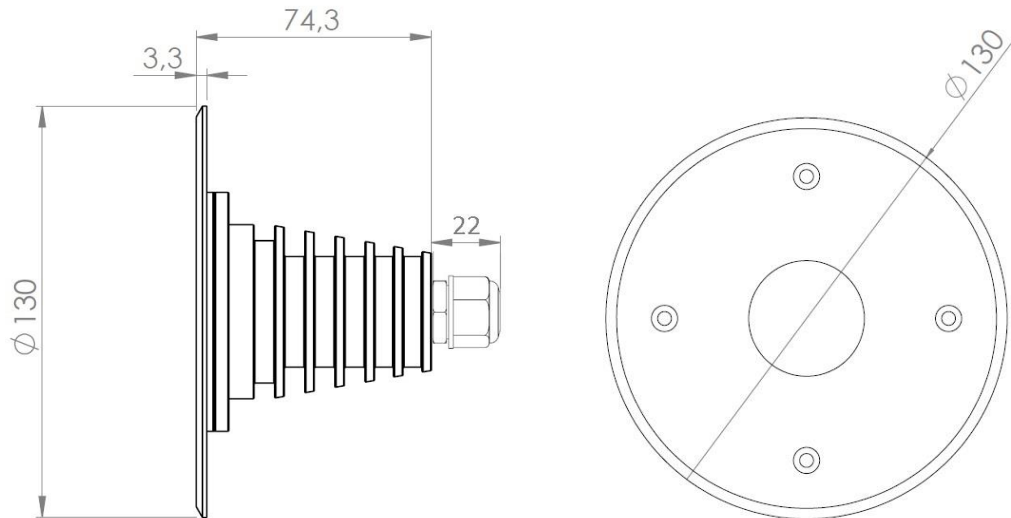
LIGHT COLOUR	AMBER WHITE	CONFORT WHITE	WARM WHITE	NEUTRAL WHITE	COOL WHITE
Colour Temperature*	2200 ± 150 K	2700 ± 150 K	3000 ± 150 K	4000 ± 250 K	5000 ± 250 K
Effective Lumen Output**	350 lm	500 lm	500 lm	570 lm	570 lm
CRI	≥ 80				
Viewing Angle [FWHM]	30°, 50°				
Input Voltage	12V/24V DC				
Power Consumption	6 W				
Operating Temperature.	-20°C + +55°C				
Dimensions	Ø130mm				
Cable Type	SIHF 2X1.5				
Cable Length	2m				
IP Rating	IP68				
Lifetime***	≥ 60 000 h				

* Other CCTs and colours available on request.

** Source performance in real-life conditions at Ta=25°C; includes optical losses; the tolerance of source lumen output is 5%.

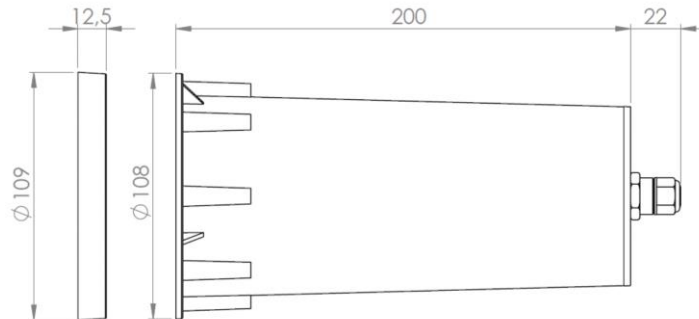
*** Approximate lifetime of LEDs declared by Cree® at Ta=25°C (for 90% of initial light output) and other electronic components

DIMENSIONS [mm]

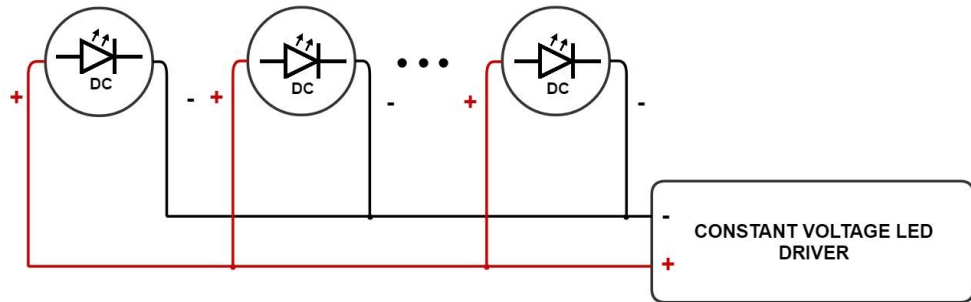


ACCESORIES

POOL-STANDARD-ABS



ELECTRICAL INSTALLATION



Connecting to the power supply should be done when the power supply is off.

ORDER CODE FORMAT

FAMILY	POWER	FWHM ANGLE	MATERIAL OF THE FRONT / BODY	SUPPLY VOLTAGE
		30- 30 degrees 50 - 50 degrees	SS - Steel front and body	LV -12V/24V DC
POOL STANDARD	6	VW - 30	RD - SS	LV
	CCT AW - 2200K VW - 2700K WW - 3000K NW - 4000K CW - 5000K	FRONT PLATE RD - Round		

ENVIRONMENTAL CAUTION



Caution!

It is prohibited to dispose of obsolete and waste electrical and electronic equipment together with regular household wastes. They should be properly sorted and recycled. Old electrical and electronic equipment should be returned to a waste collection point established by a waste-management service. Waste electrical and electronic equipment can be broken down to base materials and then recycled. For more information regarding waste management please contact your local authorities, waste-management service or the seller of electrical and electronic devices.