



INTRODUCTION SAVE ENERGY WITH NIVISS

The Plot series was designed using modern simulation methods in order to obtain the highest product quality. The Plot series fixtures are made of top-quality materials such as 316L steel and modern CREE[®] LEDs.

- Based on CREE[®] LEDs
- 230V AC / IP65
- Made of 316L or aluminium
- Power: 4.6W
- 5-year warranty
- CRI ≥ 80,
- Working load up to 150 kg

APPLICATIONS

The Niviss Standard Plot fixture can be used for lighting many places and objects such as:

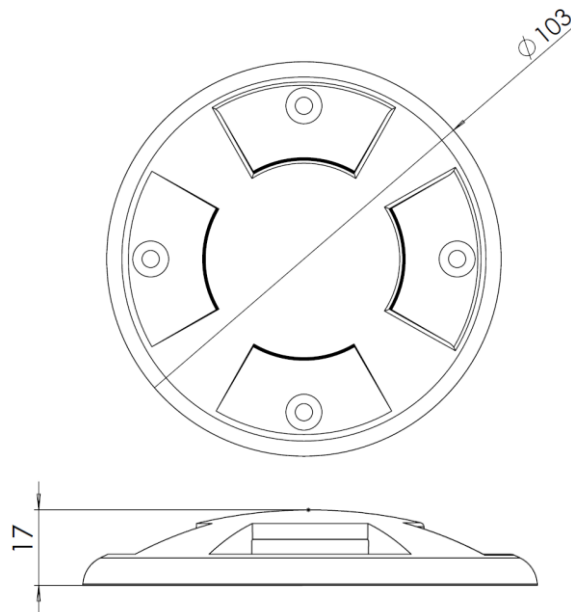
- car parks
- airports
- parks
- premises
- terraces
- gardens

SPECIFICATION

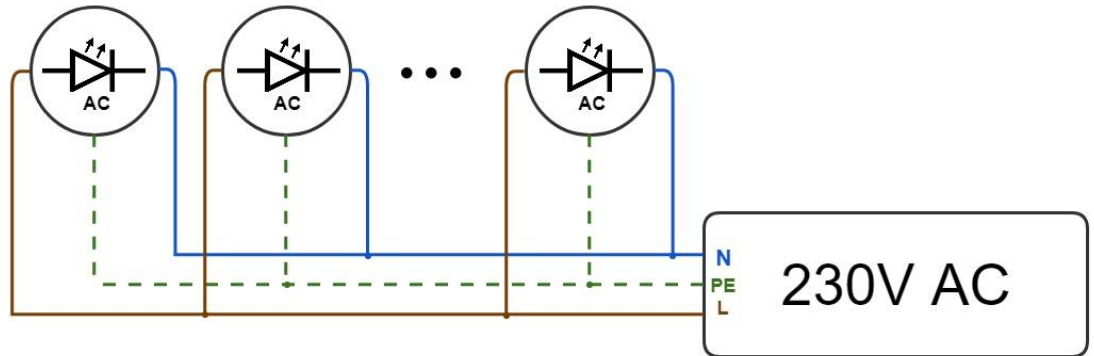
LIGHT COLOUR	WARM WHITE
Colour Temperature*	3000 ± 150 K
Source Lumen Output**	300 lm
Risk group*	RG1
CRI	≥ 80
Input Voltage	230V AC 50Hz
Power Consumption	4.6 W
Operating Temperature	-20°C + +55°C
Dimensions	∅103 mm
Proposed Cable Type	H07RN-F 3G1
Cable Length	0,5m
IP Rating	IP67
Load	150 kg
Appilance Class	Class I
Lifetime***	≥ 60 000 h

* Source performance in real-life conditions at Ta=25°C; includes optical losses; the tolerance of source lumen output is 10%.
 ** Approximate lifetime of LEDs declared by Cree® at Ta=25°C (for 90% of initial light output) and other electronic components
 *** According to EN 62471:2008

DIMENSIONS [mm]



ELECTRICAL INSTALLATION



Connecting to the power supply should be done when the power supply is off.

ORDER CODE FORMAT

	HV - 5 W POWER	4-4 sides open 2-2 sides open NUMBER OF SIDES OPEN	SS- steel AA- aluminium MATERIAL OF THE FRONT / BODY
NDISC STANDARD	- 5 - WW -	2 - RD -	SS - HV
FAMILY	TYPE	CCT WW - 3000K	FRONT PLATE RD - Round
			SUPPLY VOLTAGE HV - 230V AC, 50Hz

ENVIRONMENTAL CAUTION



Caution!

It is prohibited to dispose of obsolete and waste electrical and electronic equipment together with regular household wastes. They should be properly sorted and recycled. Old electrical and electronic equipment should be returned to a waste collection point established by a waste-management service. Waste electrical and electronic equipment can be broken down to base materials and then recycled. For more information regarding waste management please contact your local authorities, waste-management service or the seller of electrical and electronic devices