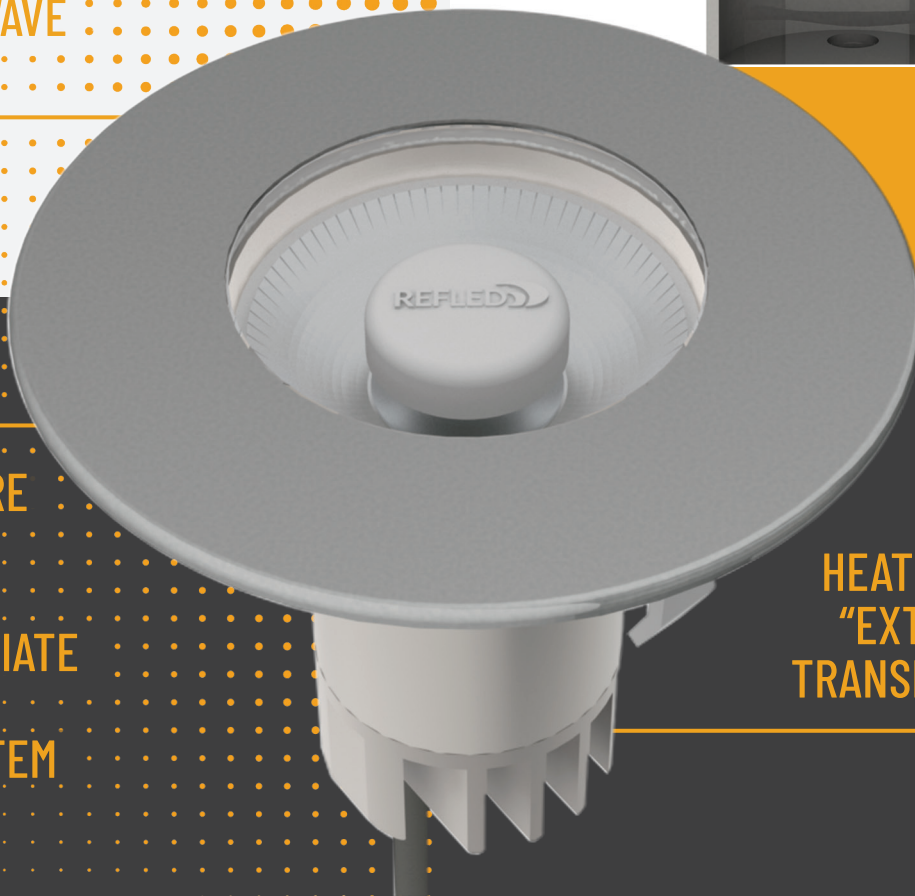
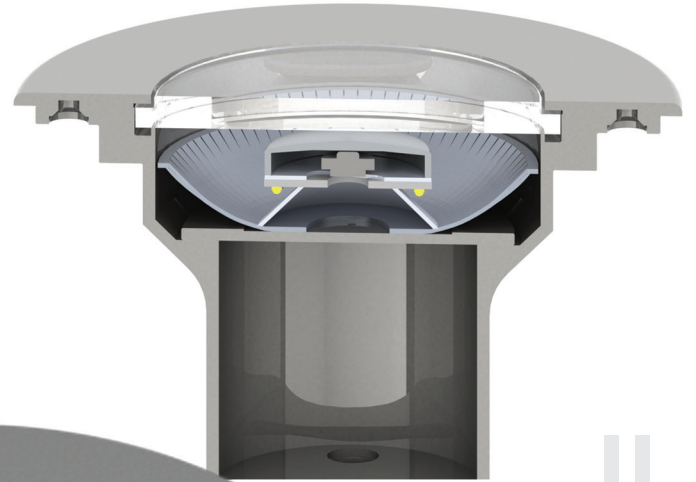


# NIVISS REFLED TECHNOLOGY™

Patent Pending

ACTIVE GLARE  
PROTECTION  
CONTROLLER  
WITH MICROWAVE  
SENSOR



PASSIVE GLARE  
PROTECTION  
ENSURED BY  
THE APPROPRIATE  
REFLECTOR  
AND LED SYSTEM

INNOVATIVE  
HEAT DISSIPATION  
"EXTERNAL HEAT  
TRANSFER SYSTEM"

REFLED® 

NEW STANDARD  
OF LED LIGHTING

MADE IN POLAND

