

## ES111



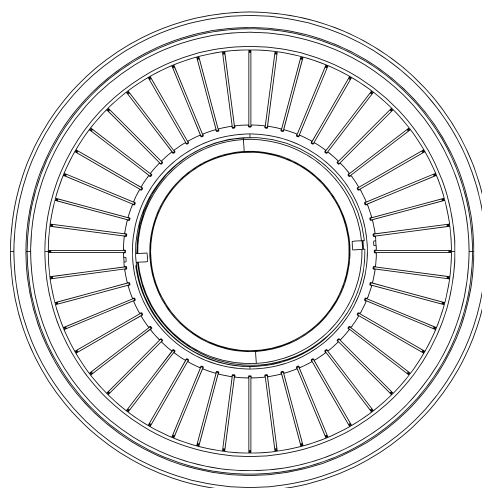
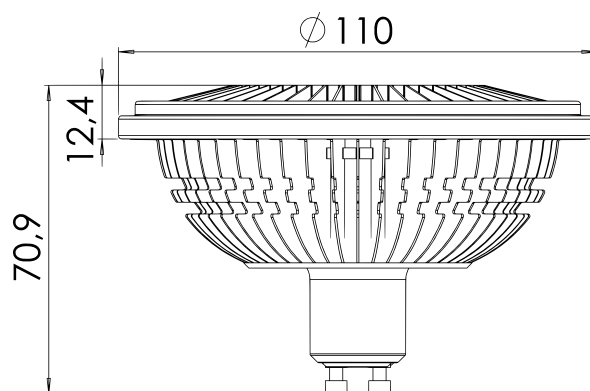
LED light source Niviss ES111 is an ideal solution for use in interior lighting. High-grade aluminum housing and diodes from the renowned American company CREE® affect the reliability and quality of the product.

- Product based on diodes of the renowned American company CREE®.
- Sources designed and manufactured in Poland
- Power of 11.6 W
- High-quality aluminum housing



Working temperature range	-20°C ÷ +40°C
IP protection class	IP20
Lifetime L80B10	≥ 40 000h
Impact resistance	IK08
Protection class	II
Connection	GU10
Dimming	ON-OFF/PWM
Luminous flux tolerance	±10%
Angle of distribution	55°

### TECHNICAL DRAWINGS



## ES111



Niviss ES111 LED light sources are ideal for use in:

- Interior lighting of public facilities
- Office lighting
- Home lighting
- Corridor Lighting

### ORDER CODE AND TECHNICAL SPECIFICATIONS OF VARIANTS

## VARIANT CODES IN THE TABLE BELOW TECHNICAL SPECIFICATIONS OF VARIANTS IN DATASHEET OF VARIANT

#### ENVIRONMENTAL CAUTION!

It is prohibited to dispose of obsolete and waste electrical and electronic equipment together with regular household wastes. They should be properly sorted and recycled. Old electrical and electronic equipment should be returned to a waste collection point established by a waste-management service. Waste electrical and electronic equipment can be broken down to base materials and then recycled. For more information regarding waste management please contact your local authorities, waste-management service or the seller of electrical and electronic devices.

## ORDER CODE AND TECHNICAL SPECIFICATIONS OF VARIANTS

Index	[DEG]	[K]	Lumen Output [lm]	CRI/RA	[W]	Power supply type	Body material	Front material
QPAR-12-NW-55-RD-A-HV	55	4000	980	≥90	12	HV	P	Alu
QPAR-12-WW-55-RD-A-HV	55	3000	900	≥90	12	HV	P	Alu
QPAR-12-VW-55-RD-A-HV	55	2700	880	≥90	12	HV	P	Alu