

GROUND STANDARD 220-240V AC 50/60Hz



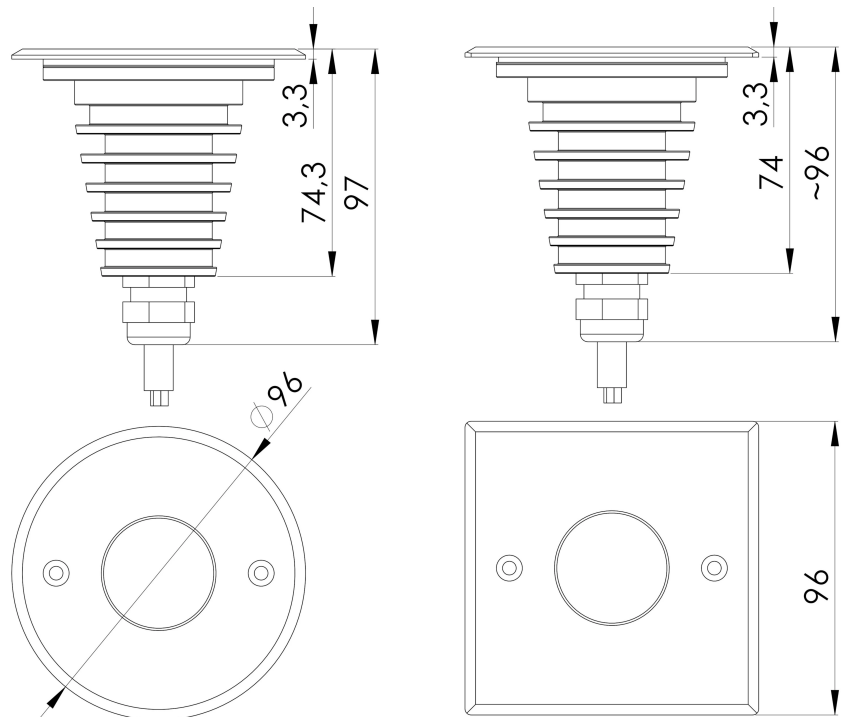
The Ground series was designed using modern simulation methods in order to obtain the highest product quality.

- based on CREE® LEDs
- IP67
- made of 316L steel, also available with an aluminum body
- round or square front
- 5-year warranty
- 7W



Working temperature range	-20°C ÷ +55°C
IP protection class	IP67
Lifetime L80B10	≥ 60 000h
Impact resistance	IK10
Protection class	I
Connection	0.5m
Wiring	H07RN-F 3G1
Dimming	ON-OFF
Luminous flux tolerance	±10%
Angle of distribution	10°, 20°, 45°

TECHNICAL DRAWINGS



GROUND STANDARD 220-240V AC 50/60Hz

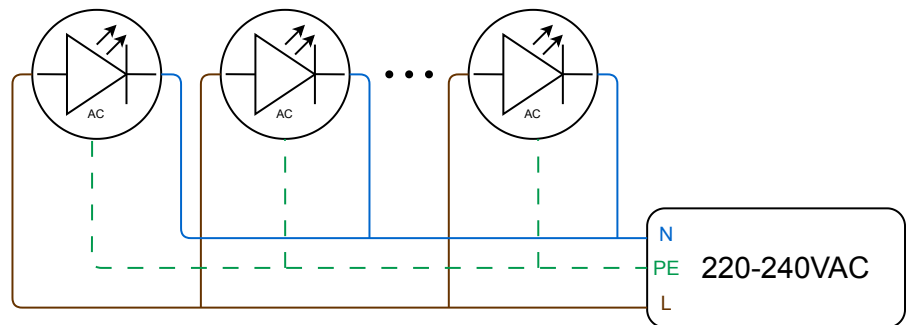


The Niviss outdoor LED lighting fixture can be used for lighting many places and objects such as:

- parks
- gardens
- exterior walls
- squares
- premises
- plants

ELECTRICAL INSTALLATION

Connecting to the power supply should be done when the power supply is off.



ORDER CODE AND TECHNICAL SPECIFICATIONS OF VARIANTS

VARIANT CODES IN THE TABLE BELOW TECHNICAL SPECIFICATIONS OF VARIANTS IN DATASHEET OF VARIANT

GENERAL TERMS OF USE

- Before using a luminaire, make sure what voltage range it is designed to.
- Connecting to the power supply should be done when the power supply is off.
- Use appropriate sockets and plugs: Ensure that your electrical sockets and plugs are compatible with the lamp's voltage and plug type.
- Use appropriate wiring for luminaires.
- Avoid overloading electrical circuits by not connecting too many lamps to a single outlet or circuit. Check the condition of the power cord and plug for any signs of damage or wear.
- Pay attention to the correct polarity when connecting the luminaires. Incorrect polarity may prevent the luminaires from functioning properly or could potentially damage them.
- Installation of the luminaires should be done by qualified person.
- Keep your luminaires clean and free from dust and debris, as it can affect their performance.
- Follow the luminaire connection diagram above.
- Avoid direct exposure of bright light sources to your eyes. Position luminaires in a way that minimizes direct glare or uncomfortable brightness.
- Ensure that the luminaire is placed on a stable surface and kept away from flammable materials. Allow sufficient clearance around the luminaire to prevent overheating.
- Keep away from fire.
- Make sure your electrical installations are properly grounded and meet the necessary safety standards. Avoid overloading circuits by not connecting too many lamps to a single outlet or circuit.
- Pay attention on correct connection of Line and Neutral to electric network.

ENVIRONMENTAL CAUTION!

It is prohibited to dispose of obsolete and waste electrical and electronic equipment together with regular household wastes. They should be properly sorted and recycled. Old electrical and electronic equipment should be returned to a waste collection point established by a waste-management service. Waste electrical and electronic equipment can be broken down to base materials and then recycled. For more information regarding waste management please contact your local authorities, waste-management service or the seller of electrical and electronic devices.

ORDER CODE AND TECHNICAL SPECIFICATIONS OF VARIANTS

Index	[DEG]	[K]	Lumen Output [lm]	CRI/RA	[W]	Power supply type	Body material	Front material	EAN	Front shape
GROUND-STANDARD-7-AW-10-RD-SA-HV-COB-R	10	2200	540	≥80	7	220-240V AC 50/60Hz	Alu	SST	5902768783834	○
GROUND-STANDARD-7-AW-20-RD-SA-HV-COB-R	20	2200	540	≥80	7	220-240V AC 50/60Hz	Alu	SST	5902768783841	○
GROUND-STANDARD-7-AW-10-RD-SS-HV-COB-R	10	2200	540	≥80	7	220-240V AC 50/60Hz	SST	SST	5902768783858	○
GROUND-STANDARD-7-AW-20-RD-SS-HV-COB-R	20	2200	540	≥80	7	220-240V AC 50/60Hz	SST	SST	5902768783865	○
GROUND-STANDARD-7-AW-10-SQ-SA-HV-COB-R	10	2200	540	≥80	7	220-240V AC 50/60Hz	Alu	SST	5902768783872	□
GROUND-STANDARD-7-AW-20-SQ-SA-HV-COB-R	20	2200	540	≥80	7	220-240V AC 50/60Hz	Alu	SST	5902768783889	□
GROUND-STANDARD-7-AW-10-SQ-SS-HV-COB-R	10	2200	540	≥80	7	220-240V AC 50/60Hz	SST	SST	5902768783896	□
GROUND-STANDARD-7-AW-20-SQ-SS-HV-COB-R	20	2200	540	≥80	7	220-240V AC 50/60Hz	SST	SST	5902768783902	□
GROUND-STANDARD-7-VW-10-RD-SA-HV-COB-R	10	2700	650	≥80	7	220-240V AC 50/60Hz	Alu	SST	5902768783919	○
GROUND-STANDARD-7-VW-20-RD-SA-HV-COB-R	20	2700	650	≥80	7	220-240V AC 50/60Hz	Alu	SST	5902768783926	○
GROUND-STANDARD-7-VW-10-RD-SS-HV-COB-R	10	2700	650	≥80	7	220-240V AC 50/60Hz	SST	SST	5902768783933	○
GROUND-STANDARD-7-VW-20-RD-SS-HV-COB-R	20	2700	650	≥80	7	220-240V AC 50/60Hz	SST	SST	5902768783940	○
GROUND-STANDARD-7-VW-10-SQ-SA-HV-COB-R	10	2700	650	≥80	7	220-240V AC 50/60Hz	Alu	SST	5902768783957	□
GROUND-STANDARD-7-VW-20-SQ-SA-HV-COB-R	20	2700	650	≥80	7	220-240V AC 50/60Hz	Alu	SST	5902768783964	□
GROUND-STANDARD-7-VW-10-SQ-SS-HV-COB-R	10	2700	650	≥80	7	220-240V AC 50/60Hz	SST	SST	5902768783971	□
GROUND-STANDARD-7-VW-20-SQ-SS-HV-COB-R	20	2700	650	≥80	7	220-240V AC 50/60Hz	SST	SST	5902768783988	□
GROUND-STANDARD-7-WW-10-RD-SA-HV-COB-R	10	3000	650	≥80	7	220-240V AC 50/60Hz	Alu	SST	5902768783995	○
GROUND-STANDARD-7-WW-20-RD-SA-HV-COB-R	20	3000	650	≥80	7	220-240V AC 50/60Hz	Alu	SST	5902768783001	○
GROUND-STANDARD-7-WW-10-RD-SS-HV-COB-R	10	3000	650	≥80	7	220-240V AC 50/60Hz	SST	SST	5905658700003	○
GROUND-STANDARD-7-WW-20-RD-SS-HV-COB-R	20	3000	650	≥80	7	220-240V AC 50/60Hz	SST	SST	5905658700010	○
GROUND-STANDARD-7-WW-10-SQ-SA-HV-COB-R	10	3000	650	≥80	7	220-240V AC 50/60Hz	Alu	SST	5905658700027	□
GROUND-STANDARD-7-WW-20-SQ-SA-HV-COB-R	20	3000	650	≥80	7	220-240V AC 50/60Hz	Alu	SST	5905658700034	□
GROUND-STANDARD-7-WW-10-SQ-SS-HV-COB-R	10	3000	650	≥80	7	220-240V AC 50/60Hz	SST	SST	5905658700041	□
GROUND-STANDARD-7-WW-20-SQ-SS-HV-COB-R	20	3000	650	≥80	7	220-240V AC 50/60Hz	SST	SST	5905658700058	□
GROUND-STANDARD-7-NW-10-RD-SA-HV-COB-R	10	4000	710	≥80	7	220-240V AC 50/60Hz	Alu	SST	5905658700065	○
GROUND-STANDARD-7-NW-20-RD-SA-HV-COB-R	20	4000	710	≥80	7	220-240V AC 50/60Hz	Alu	SST	5905658700072	○
GROUND-STANDARD-7-NW-10-RD-SS-HV-COB-R	10	4000	710	≥80	7	220-240V AC 50/60Hz	SST	SST	5905658700089	○
GROUND-STANDARD-7-NW-20-RD-SS-HV-COB-R	20	4000	710	≥80	7	220-240V AC 50/60Hz	SST	SST	5905658700096	○
GROUND-STANDARD-7-NW-10-SQ-SA-HV-COB-R	10	4000	710	≥80	7	220-240V AC 50/60Hz	Alu	SST	5905658700102	□
GROUND-STANDARD-7-NW-20-SQ-SA-HV-COB-R	20	4000	710	≥80	7	220-240V AC 50/60Hz	Alu	SST	5905658700119	□
GROUND-STANDARD-7-NW-10-SQ-SS-HV-COB-R	10	4000	710	≥80	7	220-240V AC 50/60Hz	SST	SST	5905658700126	□
GROUND-STANDARD-7-NW-20-SQ-SS-HV-COB-R	20	4000	710	≥80	7	220-240V AC 50/60Hz	SST	SST	5905658700133	□
GROUND-STANDARD-7-CW-10-RD-SA-HV-COB-R	10	5000	710	≥80	7	220-240V AC 50/60Hz	Alu	SST	5905658700140	○
GROUND-STANDARD-7-CW-20-RD-SA-HV-COB-R	20	5000	710	≥80	7	220-240V AC 50/60Hz	Alu	SST	5905658700157	○

GROUND-STANDARD-7-CW-10-RD-SS-HV-COB-R	10	5000	710	≥80	7	220-240V AC 50/60Hz	SST	SST	5905658700164	○
GROUND-STANDARD-7-CW-20-RD-SS-HV-COB-R	20	5000	710	≥80	7	220-240V AC 50/60Hz	SST	SST	5905658700171	○
GROUND-STANDARD-7-CW-10-SQ-SA-HV-COB-R	10	5000	710	≥80	7	220-240V AC 50/60Hz	Alu	SST	5905658700188	□
GROUND-STANDARD-7-CW-20-SQ-SA-HV-COB-R	20	5000	710	≥80	7	220-240V AC 50/60Hz	Alu	SST	5905658700195	□
GROUND-STANDARD-7-CW-10-SQ-SS-HV-COB-R	10	5000	710	≥80	7	220-240V AC 50/60Hz	SST	SST	5905658700201	□
GROUND-STANDARD-7-CW-20-SQ-SS-HV-COB-R	20	5000	710	≥80	7	220-240V AC 50/60Hz	SST	SST	5905658700218	□