

POOL FLOOD STANDARD SMOOTH 12V/24V DC



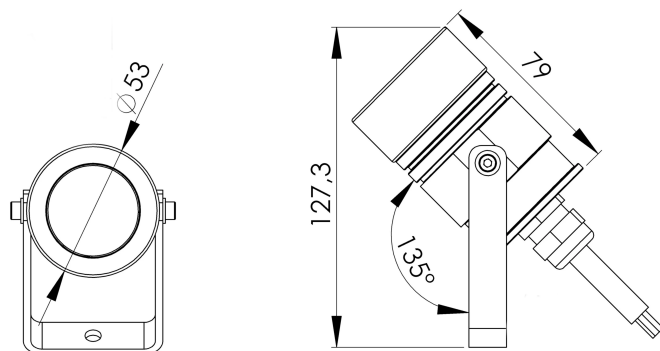
The Floodlight Smooth series was designed using modern simulation methods in order to obtain the highest product quality.

- based on CREE® LEDs
- IP68
- made of 316L steel;
- 12V/ 24V DC
- 5-year warranty
- 6 W



Working temperature range	-20°C ÷ +55°C
IP protection class	IP68
Lifetime L80B10	≥ 60 000h
Impact resistance	IK10
Protection class	III
Connection	1,5m
Wiring	SIHF 2X1.5
Dimming	ON-OFF/PWM
Luminous flux tolerance	±10%
Power supply type	12V/24V DC
Angle of distribution	10°, 20°, 45°

TECHNICAL DRAWINGS

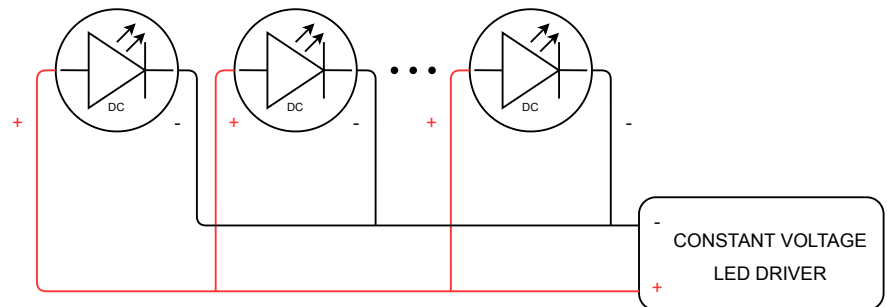


POOL FLOOD STANDARD SMOOTH 12V/24V DC



ELECTRICAL INSTALLATION

Connecting to the power supply should be done when the power supply is off.



ORDER CODE AND TECHNICAL SPECIFICATIONS OF VARIANTS

VARIANT CODES IN THE TABLE BELOW TECHNICAL SPECIFICATIONS OF VARIANTS IN DATASHEET OF VARIANT

ENVIRONMENTAL CAUTION!

It is prohibited to dispose of obsolete and waste electrical and electronic equipment together with regular household wastes. They should be properly sorted and recycled. Old electrical and electronic equipment should be returned to a waste collection point established by a waste-management service. Waste electrical and electronic equipment can be broken down to base materials and then recycled. For more information regarding waste management please contact your local authorities, waste-management service or the seller of electrical and electronic devices.

ORDER CODE AND TECHNICAL SPECIFICATIONS OF VARIANTS

Index	[DEG]	[K]	Lumen Output [lm]	CRI/RA	[W]	Power supply type	Body material	Front material	Front shape
POOL-FLOOD-STANDARD-SMOOTH-6-AW-10-RD-AA-LV-COB-R	10	2200	460	≥80	6	12V/24V DC	Alu	Alu	○
POOL-FLOOD-STANDARD-SMOOTH-6-AW-20-RD-AA-LV-COB-R	20	2200	460	≥80	6	12V/24V DC	Alu	Alu	○
POOL-FLOOD-STANDARD-SMOOTH-6-AW-10-RD-SS-LV-COB-R	10	2200	460	≥80	6	12V/24V DC	SST	SST	○
POOL-FLOOD-STANDARD-SMOOTH-6-AW-20-RD-SS-LV-COB-R	20	2200	460	≥80	6	12V/24V DC	SST	SST	○
POOL-FLOOD-STANDARD-SMOOTH-6-VW-10-RD-AA-LV-COB-R	10	2700	510	≥80	6	12V/24V DC	Alu	Alu	○
POOL-FLOOD-STANDARD-SMOOTH-6-VW-20-RD-AA-LV-COB-R	20	2700	510	≥80	6	12V/24V DC	Alu	Alu	○
POOL-FLOOD-STANDARD-SMOOTH-6-VW-10-RD-SS-LV-COB-R	10	2700	510	≥80	6	12V/24V DC	SST	SST	○
POOL-FLOOD-STANDARD-SMOOTH-6-VW-20-RD-SS-LV-COB-R	20	2700	510	≥80	6	12V/24V DC	SST	SST	○
POOL-FLOOD-STANDARD-SMOOTH-6-WW-10-RD-AA-LV-COB-R	10	3000	570	≥80	6	12V/24V DC	Alu	Alu	○
POOL-FLOOD-STANDARD-SMOOTH-6-WW-20-RD-AA-LV-COB-R	20	3000	570	≥80	6	12V/24V DC	Alu	Alu	○
POOL-FLOOD-STANDARD-SMOOTH-6-WW-10-RD-SS-LV-COB-R	10	3000	570	≥80	6	12V/24V DC	SST	SST	○
POOL-FLOOD-STANDARD-SMOOTH-6-WW-20-RD-SS-LV-COB-R	20	3000	570	≥80	6	12V/24V DC	SST	SST	○
POOL-FLOOD-STANDARD-SMOOTH-6-NW-10-RD-AA-LV-COB-R	10	4000	630	≥80	6	12V/24V DC	Alu	Alu	○
POOL-FLOOD-STANDARD-SMOOTH-6-NW-20-RD-AA-LV-COB-R	20	4000	630	≥80	6	12V/24V DC	Alu	Alu	○
POOL-FLOOD-STANDARD-SMOOTH-6-NW-10-RD-SS-LV-COB-R	10	4000	630	≥80	6	12V/24V DC	SST	SST	○
POOL-FLOOD-STANDARD-SMOOTH-6-NW-20-RD-SS-LV-COB-R	20	4000	630	≥80	6	12V/24V DC	SST	SST	○
POOL-FLOOD-STANDARD-SMOOTH-6-CW-10-RD-AA-LV-COB-R	10	5000	700	≥80	6	12V/24V DC	Alu	Alu	○
POOL-FLOOD-STANDARD-SMOOTH-6-CW-20-RD-AA-LV-COB-R	20	5000	700	≥80	6	12V/24V DC	Alu	Alu	○
POOL-FLOOD-STANDARD-SMOOTH-6-CW-10-RD-SS-LV-COB-R	10	5000	700	≥80	6	12V/24V DC	SST	SST	○
POOL-FLOOD-STANDARD-SMOOTH-6-CW-20-RD-SS-LV-COB-R	20	5000	700	≥80	6	12V/24V DC	SST	SST	○