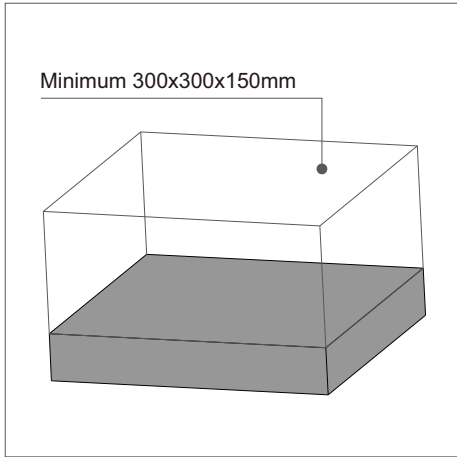
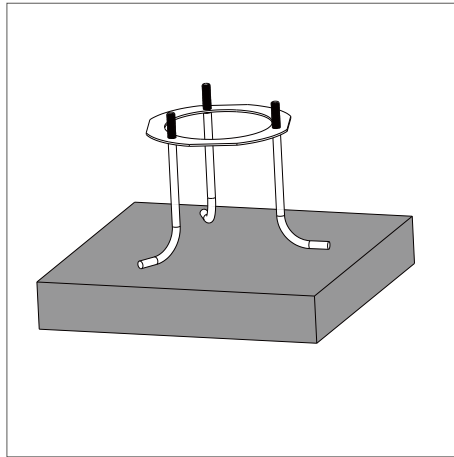


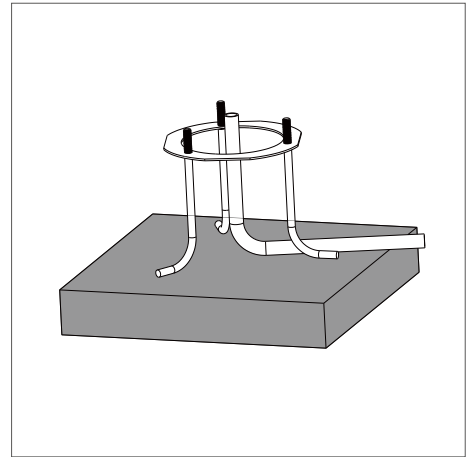
Installation instruction



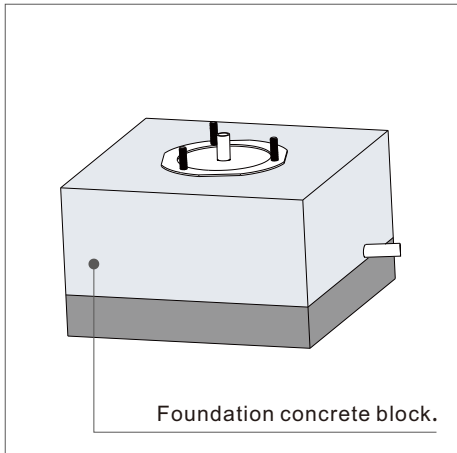
1. Dig a hole with minimum size 300x300x150mm



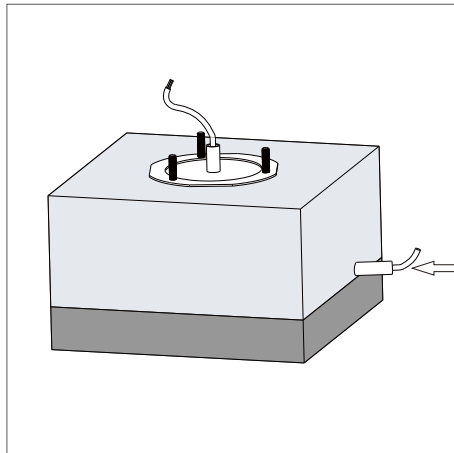
2. Put the L-type bracket into the hole



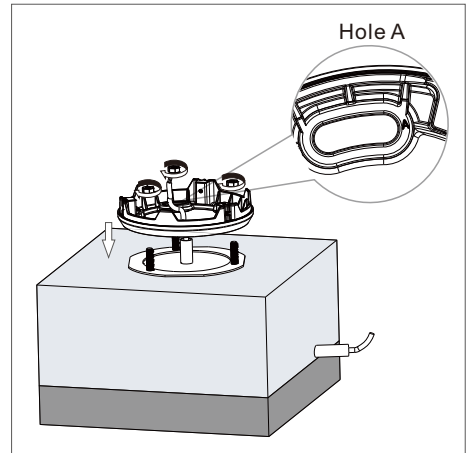
3. Install the conduit tube



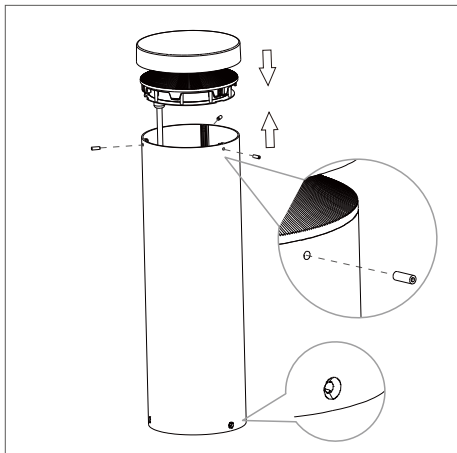
4. Make sure the bracket plate is flat with ground



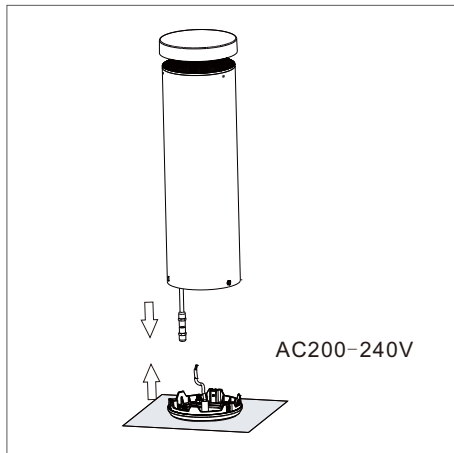
5. Put the wire through conduit tube



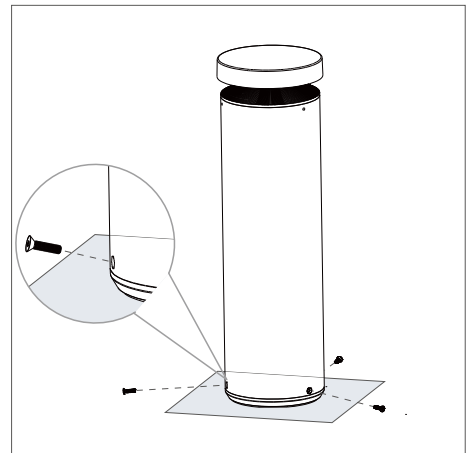
6. Fix the mounting plate to the L-type bracket



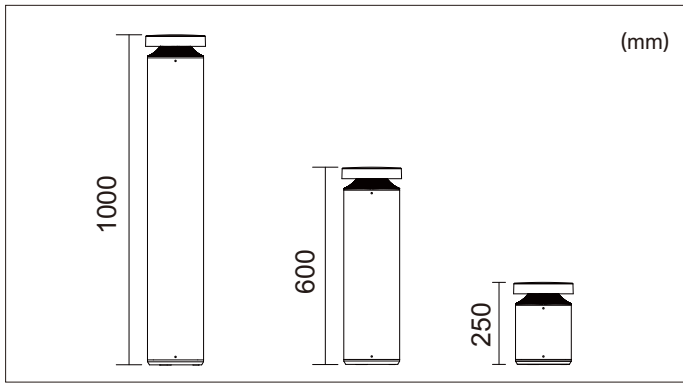
7. Fix the bollard head and bollard tube



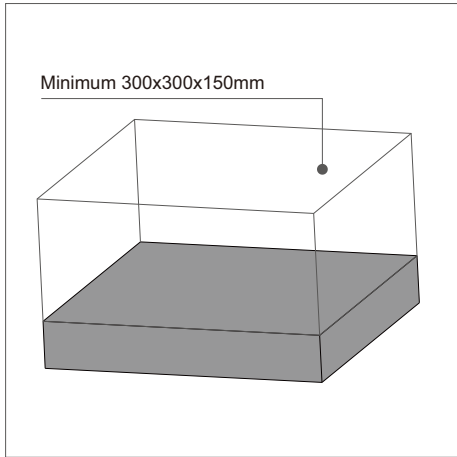
8. Connect the bollard wire to the electricity cable



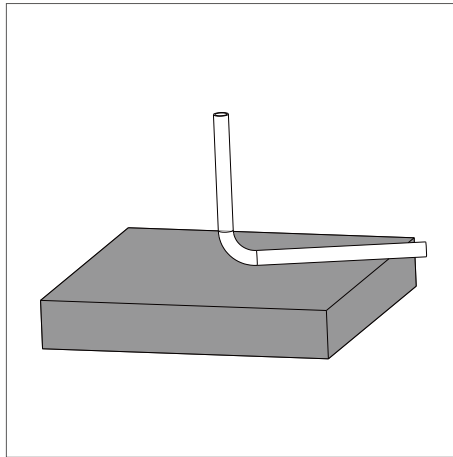
9. Fix the bollard tube onto the mounting base



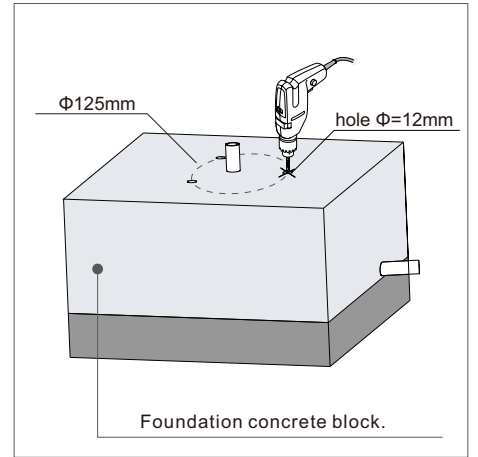
Installation instruction



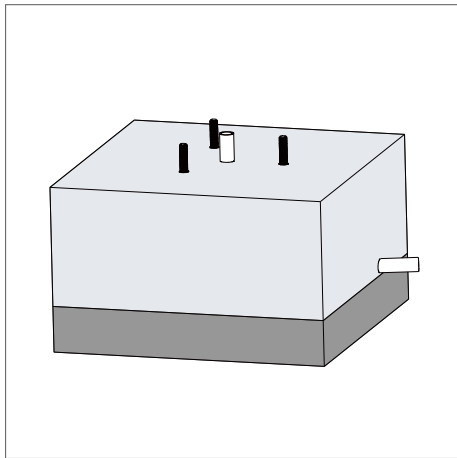
1. Dig a hole with minimum size 300x300x150mm



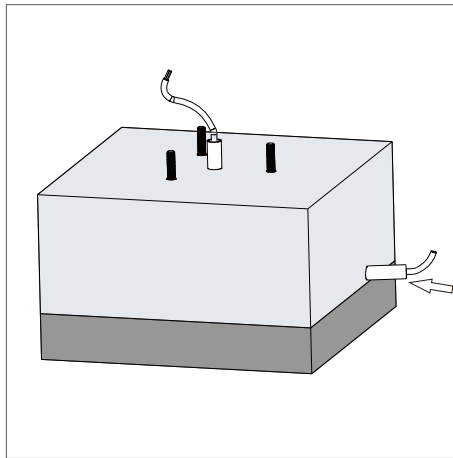
2. Put the conduit tube



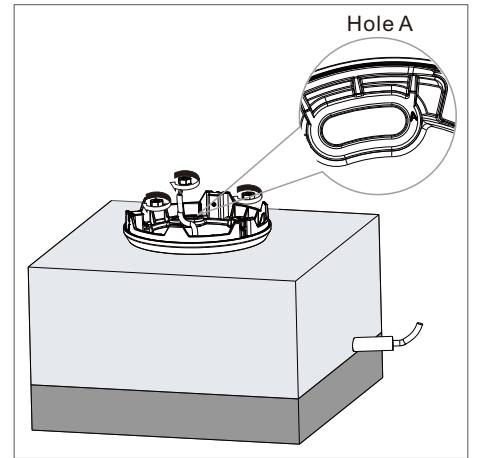
3. Fix the conduit tube , Ground drilling (three equal parts on a 125mm diameter circle, the hole diameter is 12mm)



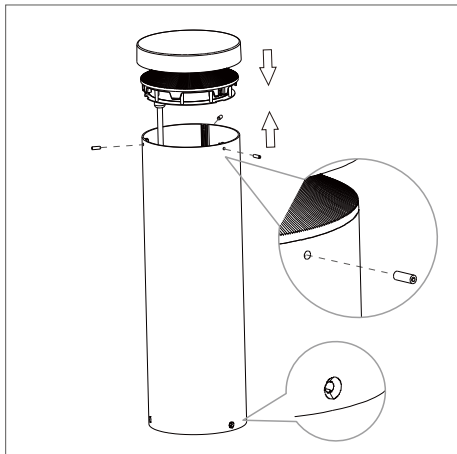
4. the expansion screw should be flat with ground



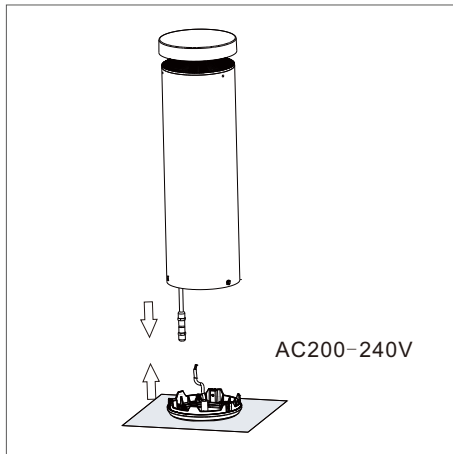
5. Put the wire through conduit tube



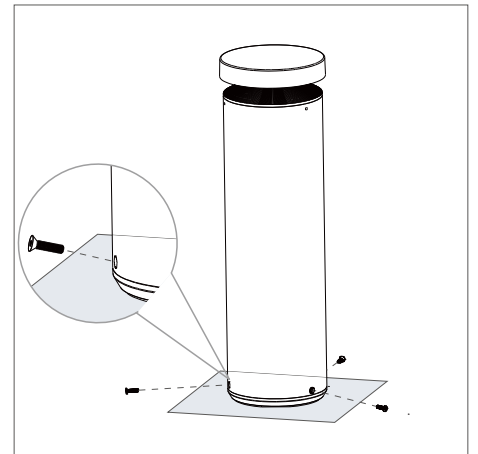
6. Fix the mounting plate



7. Fix the bollard head and bollard tube



8. Connect the bollard wire to the electricity cable



9. Fix the bollard tube onto the mounting base