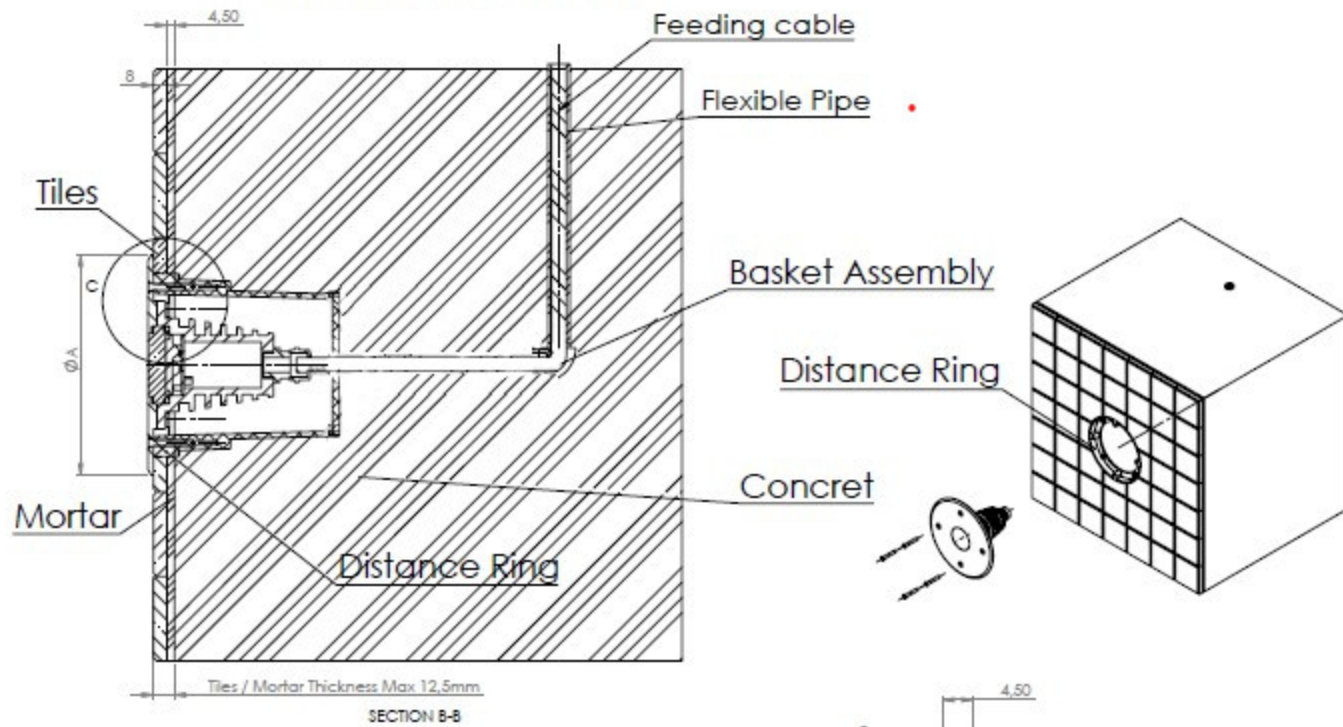
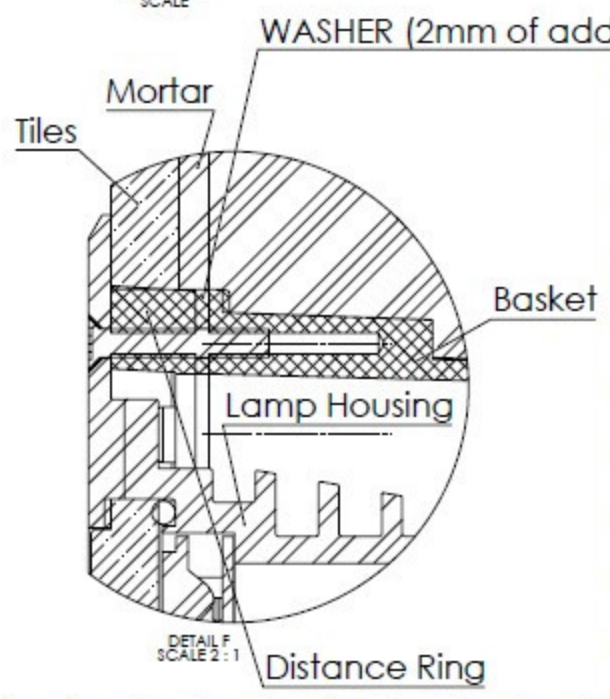
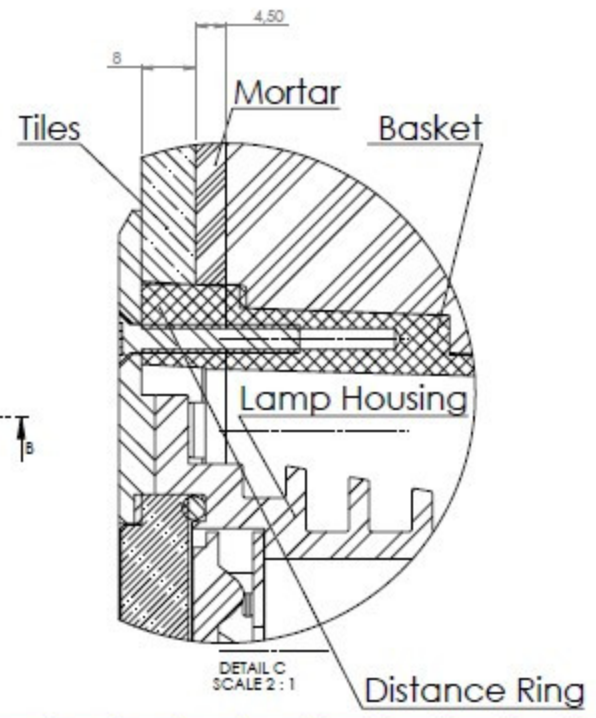
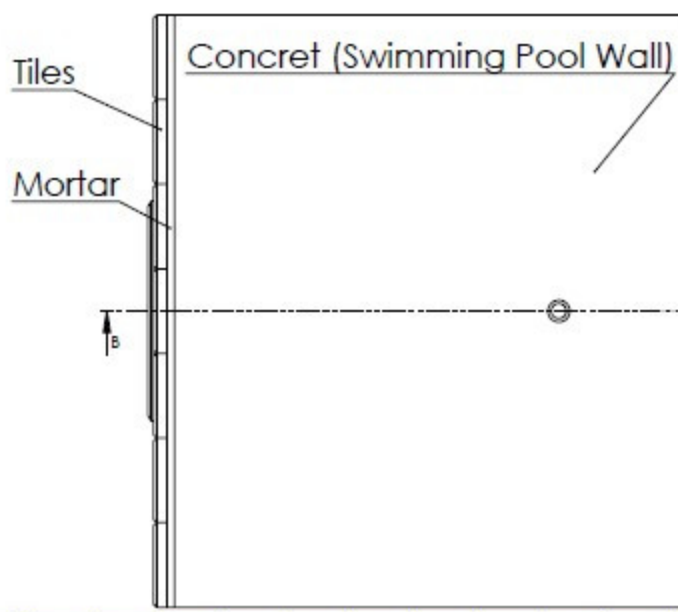
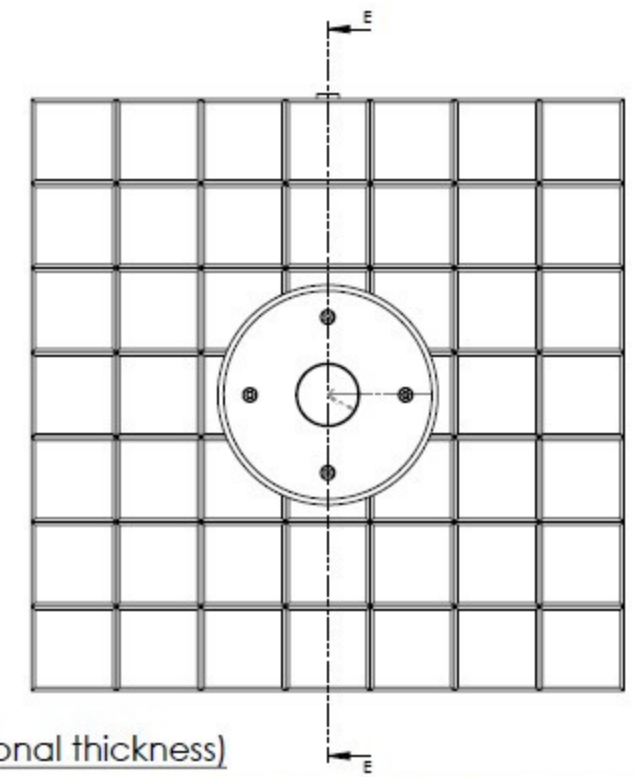
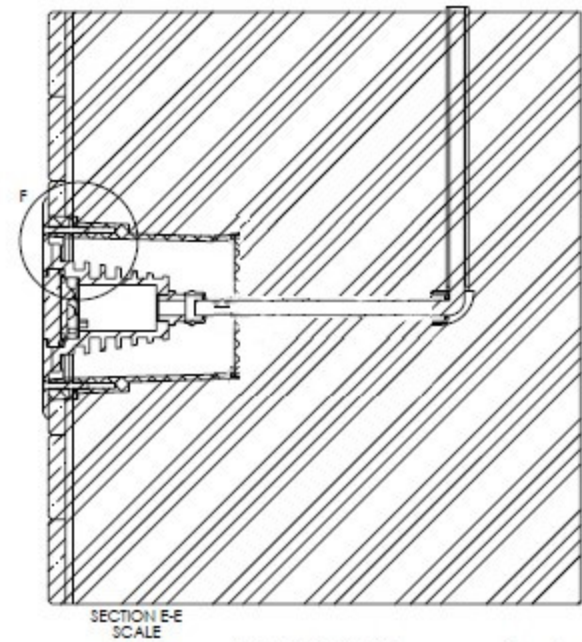


# Installing instruction in wall of concret swimming pool.

Installation for Tiles 6mm or 8mm.



Installation for Tiles 10mm or 12mm.



Mikro Led			
Tiles Thickness [mm]	Mortar Thickness [mm]	If additional Washer should be mounted:	Quantity of additional Washer(pcs)
6	6,5	no	0
8	4,5	no	0
10	4,5	yes	1
12	4,5	yes	2

Standard Led			
Tiles Thickness [mm]	Mortar Thickness [mm]	If additional Washer should be mounted:	Quantity of additional Washer(pcs)
6	6,5	no	0
8	4,5	no	0
10	4,5	yes	1
12	4,5	yes	2

Medium Led			
Tiles Thickness [mm]	Mortar Thickness [mm]	If additional Washer should be mounted:	Quantity of additional Washer(pcs)
6	6,5	no	0
8	4,5	no	0
10	4,5	yes	1
12	4,5	yes	2

Big Led			
Tiles Thickness [mm]	Mortar Thickness [mm]	If additional Washer should be mounted:	Quantity of additional Washer(pcs)
6	7,5	no	0
8	5,5	no	0
10	5,5	yes	1
12	5,5	yes	2
16	3,5	yes	3

Instalation in wall of concret swimming pool:

Section B-B show section of concret swimming pool wall after dismanting of formwork and instalation of tiles and lamp for thickness of Tiles 8mm. For thickness of Tiles 6mm layer of Mortar will be with thickness 6,5mm instead of 4,5mm (like for tiles 8mm). Distance Ring or Distance Ring with Washer should be installed before placing of Mortar and Tiles see detail C. Maximum thickness of Mortar and Tiles 19,5mm. For bigger thickness of Tiles (then 6mm or 8mm) distance Washer should be mounted for regulation of distance for mortar and tiles (see table: Tiles Thickness for particular lamps).