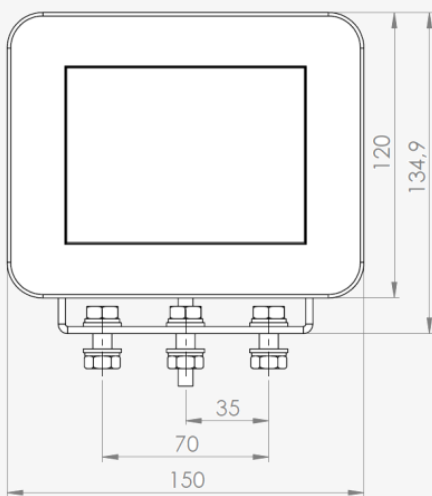


Niplants Mini

Horticulture SOLUTIONS

The Horti series was designed using modern simulation methods in order to obtain the highest product quality.

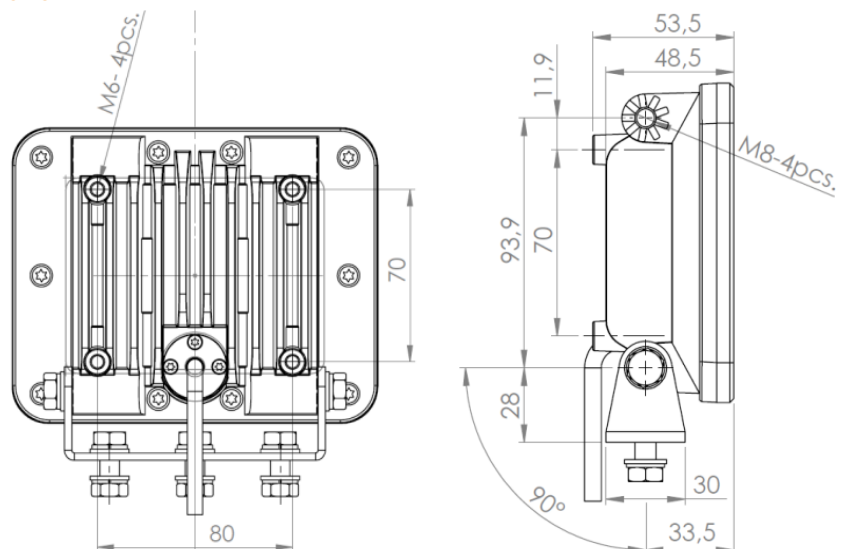
- Based on CREE® LEDs
- Vegetation or Flowering version
- 15° or 35° Viewing Angle [FWHM]
- 12V/24V DC
- 5-year warranty



| COLOUR | VEGETATION | FLOWERING |
|-----------------------|--|-----------|
| Lumen Output* | 2500lm | 2200lm |
| Efficacy | 75 lm/W | 67 lm/W |
| PPF | 60 umol/s | 47 umol/s |
| Input Voltage | 12V/24V DC | |
| Viewing Angle [FWHM] | 15°, 35° | |
| Power Consumption | 33 W @ 13.5V | |
| Number of LEDs | 12 | |
| Operating Temperature | -20°C ÷ +40°C | |
| Tc max. | 85°C | |
| Lifetime**/Tc life | L90 > 109 000 h @ I _{LED} =500mA, Tc=105°C L90 > 45 600h @ I _{LED} =1000mA, Tc=55°C | |

* Source performance in real life conditions at Ta=25°C; includes optical losses; the tolerance of source lumen output is 5%.
** Approximate lifetime of LEDs declared by the manufacturer Cree® according to IES-LM-80-2023 Testing Results.

DIMENSIONS

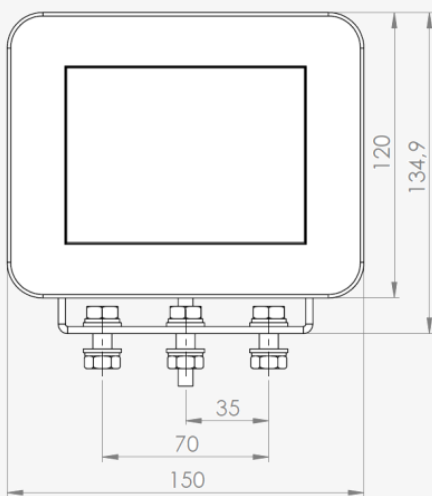


Niplants Mini

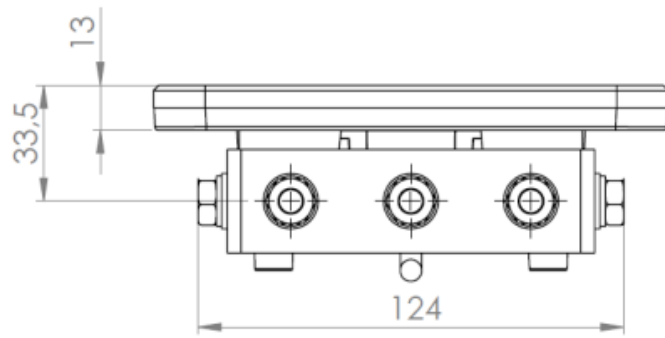
Horticulture SOLUTIONS

The NIPLANTS Horti series was designed using modern simulation methods in order to obtain the highest product quality.

- based on CREE® LEDs
- Vegetation or Flowering version
- 15° or 35° Viewing Angle [FWHM]
- 12V/24V DC
- 5-year warranty

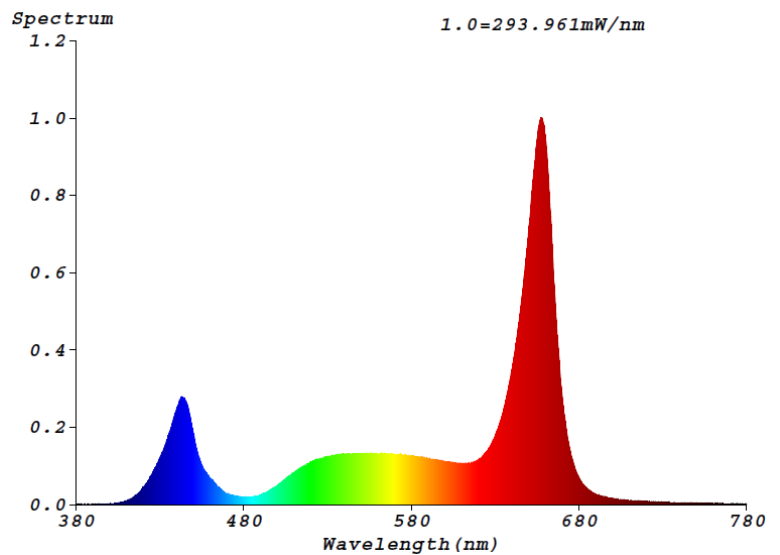


CREE
LED Solution Provider

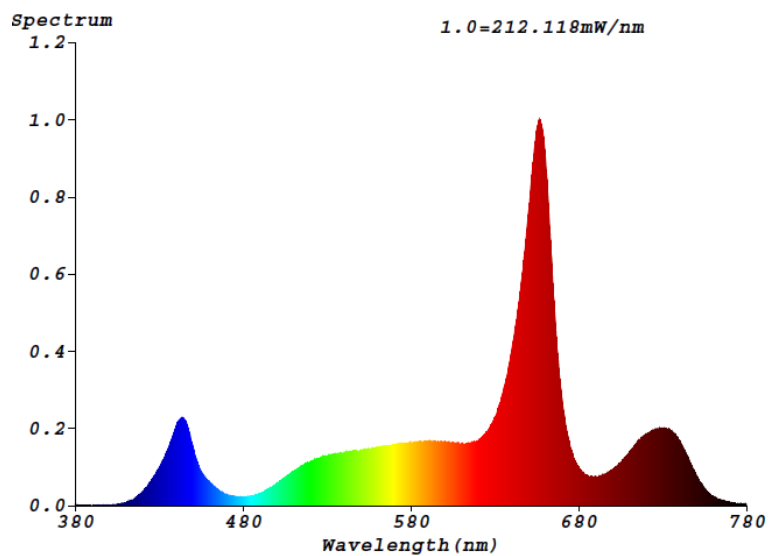


SPECTRUM

○ VEGETATION



○ FLOWERING



Niplants Mini

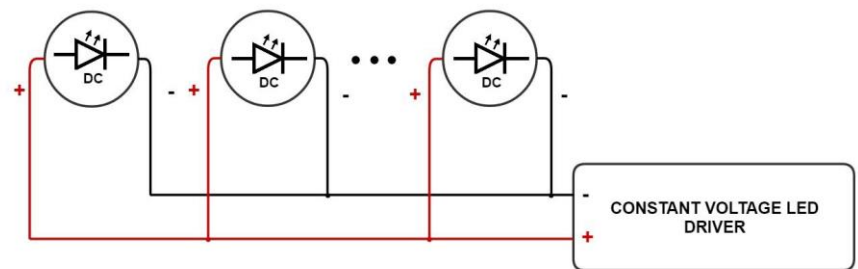
Horticulture SOLUTIONS

- Horticulture light - for plants only
- Optimal lighting for plants breeding



ELECTRICAL INSTALLATION

Connecting to the power supply should be done when the power supply is off.



ORDER CODE FORMAT

| | | | | |
|---------------------------|---------------|--|-------------|--|
| NIPLANTS - HORTI - | MINI - | 15 - | 40 - | FLO |
| FAMILY | | FWHM ANGLE 15 - 15 degrees 35 - 30 degrees | | VERSION FLO - flowering VEG - vegetation |

GENERAL TERMS OF USE

1. The Niplants Horti Mini operates on 12V/24V DC.
2. Horticulture light - for plants only.
3. Follow the instructions of the electrical installation.

Niviss is not responsible for any damage or failure due to not comply with above rules. Otherwise, the complaint will not be taken into account.

ENVIRONMENTAL CAUTION!

It is prohibited to dispose of obsolete and waste electrical and electronic equipment together with regular household wastes. They should be properly sorted and recycled. Old electrical and electronic equipment should be returned to a waste collection point established by a waste-management service. Waste electrical and electronic equipment can be broken down to base materials and then recycled. For more information regarding waste management please contact your local authorities, waste-management service or the seller of electrical and electronic devices.